



MOUNTING REFERENCE GUIDE

Philips Monitoring IntelliVue Series

CIM Cable Integrated Mounting System



Content

General notes	3
How to create part numbers	4
Product highlights	6
Support arm pivot	7
Extended pivot arm light duty	9
Extended pivot arm heavy duty	11
Height adjustable arm	13
Extended height adjustable arm	15
High position height adjustable arm	17
Extended high position height adjustable arm	19
Counter top	21
Cart light duty	23
Cart light duty kit Philips MX with FMS	25
Support arm pivot for FMS	27
Extended pivot arm light duty for FMS	29
Down post for IntelliVue FMS	31
Mount for MP2 / X2 / X3	32
Support arm pivot for MP2 / X2 / X3	33
Extended pivot arm light duty for MP2 / X2 / X3	35
Support arm pivot for MP2 / X2 / X3, without cable hook	37
Extended pivot arm light duty for MP2 / X2 / X3, without cable hook	39
Height adjustable arm for MP2 / X2 / X3, without cable hook	41
Extended height adjustable arm for MP2 / X2 / X3, without cable hook	43
Cart light duty for MP2 / X2 / X3	45
Cart light duty kit I for MP2 / X2 / X3	47
Cart light duty kit II for MP2 / X2 / X3	49
Monitor-specific mounting adapter for Philips monitoring	51
Fixings	52
Fixings for anaesthesia machines	53

General notes

Monitor Adaptations

All mounting systems for **Philips IntelliVue series** are prepared to accept the Philips table top mount.

Mounting solutions for the **Efficia series** and **Sure Signs / Vital Signs** are shown in the catalogue “5” plunge plate adaptation”.

Please note!

The Philips table top mount must be ordered separately by Philips.

Components' grounding

All arms with integrated cable management are equipped with **component grounding**. No grounding is required for arms with external or semi-integrated cable management with cables not being led through joints.

Load capacity

All **height adjustable arms** have a load capacity of 22 kg / 48.5 lbs. Rear mounted monitor adaptations and horizontally mounted 5” plunge plates accept a maximum monitor weight of 18 kg / 39.7 lbs. An additional 4 kg / 8.8 lbs may be mounted on a down post underneath the front swivel part. Depending on material and tensile factor all weight indications have a 4-fold and/ or 6-fold safety factor according to IEC 60601-1 standards.

Custom-designed solutions and MRI applications

Please contact us for **custom-designed** solutions.

Product marking

All products which are classified as medical product risk class 1 are CE marked. As **medical product risk class 1** they are conform with the regulations (EU) 2017/745 (MDR) and IEC 60601-1. Other standards of the IEC 60601 series are not applicable to our products, regardless of their version.

MD A stand-alone product that is already classified as a medical product class 1 before being integrated into an overall medical device. The product is CE-marked. A declaration of conformity is available.

~~MD~~ Accessories or spare parts that have no independent function and are therefore not subject to the MDR. These products are not CE-marked. A declaration of conformity is not required.

Warranty

All CIM arms have a 5-year warranty to be free of defects in material and functionality from the date of delivery.



How to create part numbers

Part numbers can be easily created by following the steps below:

Please replace the letters in **green** with the part no. code as per your requirements.

1. Components' grounding:

A = grounded

2. Choose the arm version required:

224PH / 230PH	=	pivot arm
33030PH	=	extended pivot arm light duty
H33030PH	=	extended pivot arm heavy duty
431PH	=	height adjustable arm
73130PH	=	extended height adjustable arm
531PH	=	high position height adjustable arm
83130PH	=	extended high position height adjustable arm
224FMS / 230FMS	=	pivot arm, FMS interface
32424FMS / 33030FMS	=	extended pivot arm light duty, FMS interface
224MP2 / 230MP2	=	pivot arm, MP2/ X2/ X3 interface
224MP2PS / 230MP2PS	=	pivot arm, MP2/ X2/ X3 interface with power supply enclosure
33030MP2	=	extended pivot arm light duty, MP2/ X2/ X3 interface
33030MP2PS	=	extended pivot arm light duty, MP2/ X2/ X3 interface with power supply
224X2X3 / 230X2X3	=	pivot arm, without cable hook, MP2/ X2/ X3 interface
33030X2X3	=	extended pivot arm light duty, without cable hook, MP2/ X2/ X3 interface
431X2X3	=	height adjustable arm, without cable hook, MP2/ X2/ X3 interface with power supply enclosure
73130X2X3	=	extended height adjustable arm, without cable hook, MP2/ X2/ X3 interface

3. Specify where you want to mount the arm and select the fixing (Y):

1V	=	pole ø 23 - 40 mm / 0.9 - 1.6"
1	=	pole ø 25 mm / 1.0"
1B	=	pole ø 30 mm / 1.2"
1F	=	pole ø 35 mm / 1.4"
1C	=	pole ø 38 mm / 1.5"
2F	=	horizontal rails 10 x 25, 8 x 35, 10 x 30, 10 x 50 mm
3	=	vertical rail 10 x 25 mm
4S	=	vertical wall channel
13	=	Mindray medical supply units
17	=	Amico pendants & headwalls
9	=	Löwenstein Medical anaesthesia machine

How to create part numbers

4. Choose the colour requested for decorative parts (C):

gr	=	RAL 7024 (graphite grey)
bl	=	RAL 5013 (cobalt blue)

5. Choose the colour requested for the aluminium die-cast parts (D):

1	=	RAL 9016 (traffic white)
2	=	RAL 9002 (grey white)

6. Specify the spring depending on the weight of your monitor/ device - only with height adjustable arms (X):

24	=	0 - 3.5 kg / 0 - 7.7 lbs (only for MP2/ X2/ X3)
60	=	2 - 5 kg / 4.4 - 11 lbs
95	=	4 - 9 kg / 8.8 - 19.8 lbs
110	=	4.5 - 12.5 kg / 9.9 - 27.6 lbs
130	=	7.5 - 13 kg / 16.5 - 28.7 lbs
160	=	12.5 - 19 kg / 27.6 - 41.9 lbs
175	=	13 - 16 kg / 28.7 - 35.3 lbs
220	=	16 - 22 kg / 35.3 - 48.5 lbs

Example

01 Grounding	02 Arm version	03 Fixing	04 & 05 Colour	06 Spring tension
A	- 431PH	- Y	. CD	- X
A	- 431PH	- 4S	. gr1	- 95

Product highlights

Non-height adjustable arm

Pivot and extended pivot arms offer **full cable integration** and easy cleaning for **infection control** in all critical care areas in the clinical environment. Our **5-years warranty** guarantees reliable, trouble-free and maintenance-free operation. The swivel function at the fixing point as well as the **tilt/ swivel function** of the monitor adaptation offers optimum positioning of your device. The extended pivot arm is a two-part arm with central pivot point between the two arm sections. All bottom-mounted monitors have the safety feature of a **20° tilt stop**.

Height adjustable arm

The height adjustable arm offers **full cable integration**, one-wipe clean surfaces and our **5-year warranty** on the entirety of the product. Vertically and horizontally adjustable, the arm offers optimal positioning of your device. A constant viewing angle when vertically adjusted is guaranteed by a parallel linkage. **Weight-optimized springs counter-balance** the monitor without making any adjustments. All bottom-mounted monitors have the safety feature of a **20° tilt stop**. Individual rotational stops may be integrated in any joint.

To provide the perfect combination of arm and monitor, the CIM articulated height adjustable arm has a simple quarter-turn lock to hold the arm safely in position when removing the monitor. Furthermore the arm is equipped with the unique safety feature of a slow-release gas spring. Should anybody try to remove the monitor before locking the arm in position, the arm will only rise at a slow and even tempo.

SAFETY

Support arm pivot

MD



Monitor adaption

prepared to accept Philips table top mount

Colours to choose

decorative parts RAL 5013 cobalt blue / RAL 7024 graphite grey
 aluminum parts RAL 9016 traffic white / RAL 9002 grey white

Max. load capacity support arm

18 kg / 39.7 lbs

Max. load monitor adaption

18 kg / 39.7 lbs

Product weight

arm type 240	arm type 300
1.7 kg / 3.7 lbs	1.8 kg / 4.0 lbs

Part number

arm type 240	arm type 300
A-224PH-Y.CD	A-230PH-Y.CD

Fixings

Y | details page 52 and 53



4S

Adapter for vertical wall channel



2F

Horizontal rail clamp



3

Vertical rail clamp



1V

Universal pole clamp



1
1B
1F
1C

Fixed pole clamp



13

Adapter for Mindray medical supply units



17

Adapter for Amico pendants & headwalls



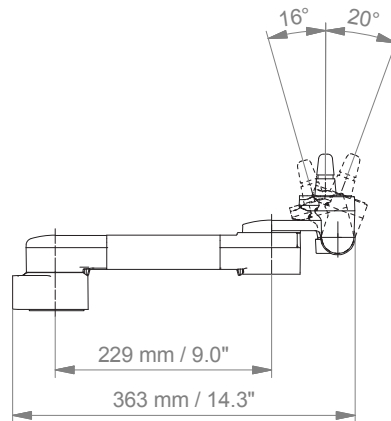
9

Adapter for Löwenstein Medical anaesthesia machines

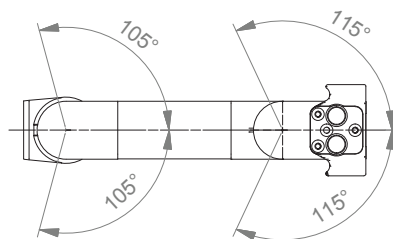
Support arm pivot

Technical data - arm type 300

SIDE VIEW

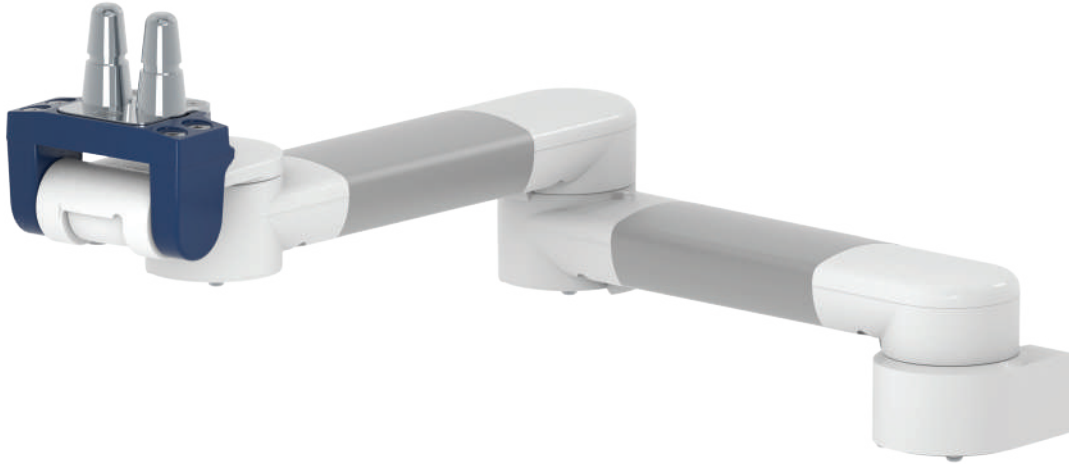


TOP VIEW



Extended pivot arm light duty

MD



Monitor adaption

prepared to accept Philips table top mount

Colours to choose

decorative parts RAL 5013 cobalt blue / RAL 7024 graphite grey
 aluminum parts RAL 9016 traffic white / RAL 9002 grey white

Max. load capacity support arm

8 kg / 17.6 lbs

Max. load monitor adaption

8 kg / 17.6 lbs

Product weight

2.7 kg / 5.9 lbs

Part number

A-33030PH-Y.CD

Fixings

Y | details page 52 and 53



4S

Adapter for vertical wall channel



2F

Horizontal rail clamp



3

Vertical rail clamp



1V

Universal pole clamp



1
1B
1F
1C

Fixed pole clamp



13

Adapter for Mindray medical supply units



17

Adapter for Amico pendants & headwalls



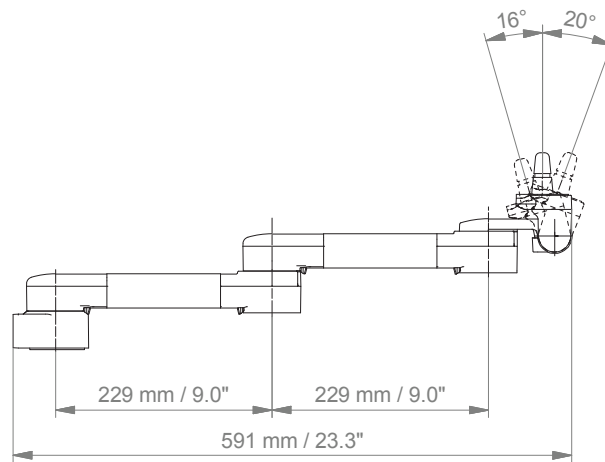
9

Adapter for Löwenstein Medical anaesthesia machines

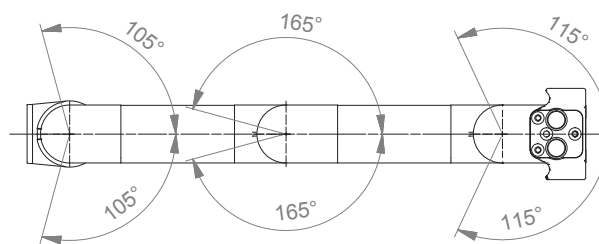
Extended pivot arm light duty

Technical data

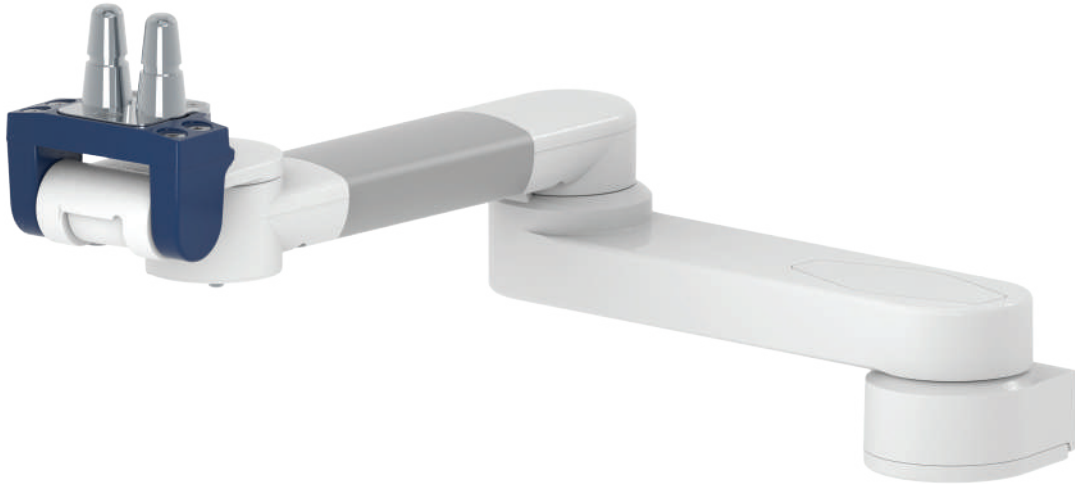
SIDE VIEW



TOP VIEW



Extended pivot arm heavy duty



Monitor adaption

prepared to accept Philips table top mount

Colours to choose

decorative parts RAL 5013 cobalt blue / RAL 7024 graphite grey
 aluminum parts RAL 9016 traffic white / RAL 9002 grey white

Max. load capacity support arm

18 kg / 39.7 lbs

Max. load monitor adaptation

18 kg / 39.7 lbs

Product weight

3.0 kg/ 6.6 lbs

Part number

A-H33030PH-Y.CD

Fixings

Y | details page 52 and 53



4S

Adapter for vertical wall channel



2F

Horizontal rail clamp



3

Vertical rail clamp



1V

Universal pole clamp



1
1B
1F
1C

Fixed pole clamp



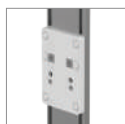
13

Adapter for Mindray medical supply units



17

Adapter for Amico pendants & headwalls



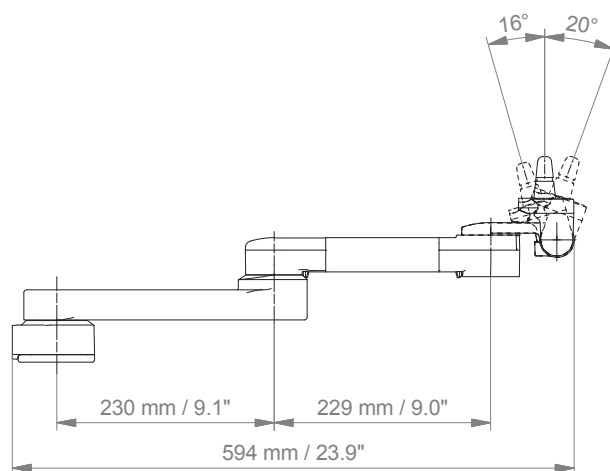
9

Adapter for Löwenstein Medical anaesthesia machines

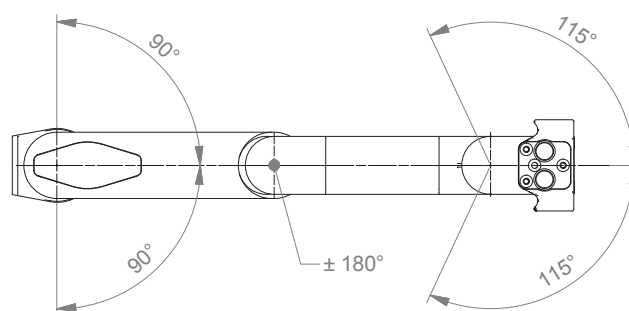
Extended pivot arm heavy duty

Technical data

SIDE VIEW



TOP VIEW



Height adjustable arm



Monitor adaption	prepared to accept Philips table top mount
Height adjustment	slow-flowing spring, parallel linkage for a constant viewing angle
Colours to choose	decorative parts RAL 5013 cobalt blue / RAL 7024 graphite grey aluminum parts RAL 9016 traffic white / RAL 9002 grey white
Max. load capacity support arm	22 kg / 48.5 lbs
Max. load monitor adaption	22 kg / 48.5 lbs
Product weight	3.7 kg / 8.2 lbs
Balancing range	600 N (2-5 kg / 4.4-11 lbs); 950 N (4-9 kg / 8.8-19.8 lbs); 1100 N (4.5-12.5 kg / 9.9-27.6 lbs); 1300 N (7.5-13 kg / 16.5-28.7 lbs); 1600 N (12.5-19 kg / 27.6-41.9 lbs); 1750 N (13-16 kg / 28.7-35.3 lbs); 2200 N (16-22 kg / 35.3-48.5 lbs)
Part number	A-431PH-Y.CD_X

Fixings

Y | details page 52 and 53



4S

Adapter for vertical wall channel



2F

Horizontal rail clamp



3

Vertical rail clamp



1V

Universal pole clamp



1
1B
1F
1C

Fixed pole clamp



13

Adapter for Mindray medical supply units



17

Adapter for Amico pendants & headwalls



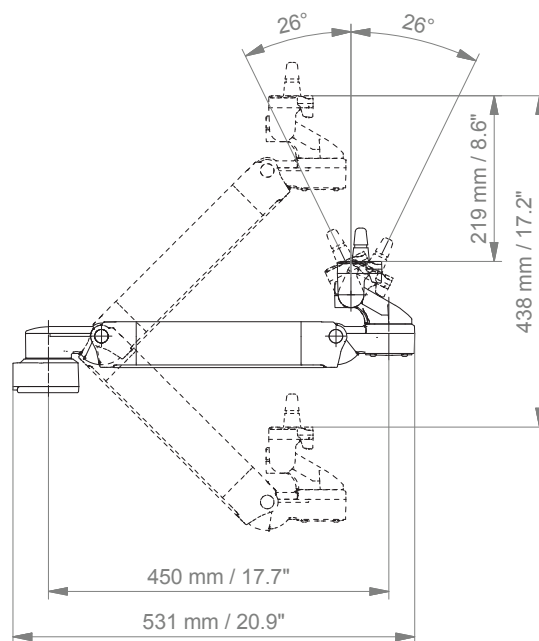
9

Adapter for Löwenstein Medical anaesthesia machines

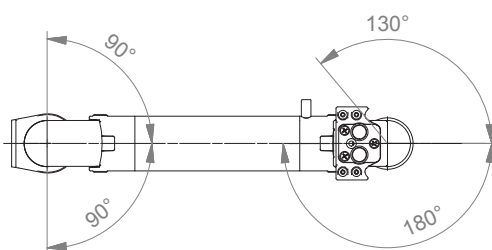
Height adjustable arm

Technical data

SIDE VIEW



TOP VIEW



Extended height adjustable arm

MD



Monitor adaption	prepared to accept Philips table top mount
Height adjustment	slow-flowing spring, parallel linkage for a constant viewing angle
Colours to choose	decorative parts RAL 5013 cobalt blue / RAL 7024 graphite grey aluminum parts RAL 9016 traffic white / RAL 9002 grey white
Max. load capacity support arm	22 kg / 48.5 lbs
Max. load monitor adaption	22 kg / 48.5 lbs
Product weight	4.8 kg / 10.6 lbs
Balancing range	600 N (2-5 kg / 4.4-11 lbs); 950 N (4-9 kg / 8.8-19.8 lbs); 1100 N (4.5-12.5 kg / 9.9-27.6 lbs); 1300 N (7.5-13 kg / 16.5-28.7 lbs); 1600 N (12.5-19 kg / 27.6-41.9 lbs); 1750 N (13-16 kg / 28.7-35.3 lbs); 2200 N (16-22 kg / 35.3-48.5 lbs)
Part number	A-73130PH-Y.CD_X

Fixings

Y | details page 52 and 53



4S

Adapter for vertical wall channel



2F

Horizontal rail clamp



3

Vertical rail clamp



1V

Universal pole clamp



1
1B
1F
1C

Fixed pole clamp



13

Adapter for Mindray medical supply units



17

Adapter for Amico pendants & headwalls



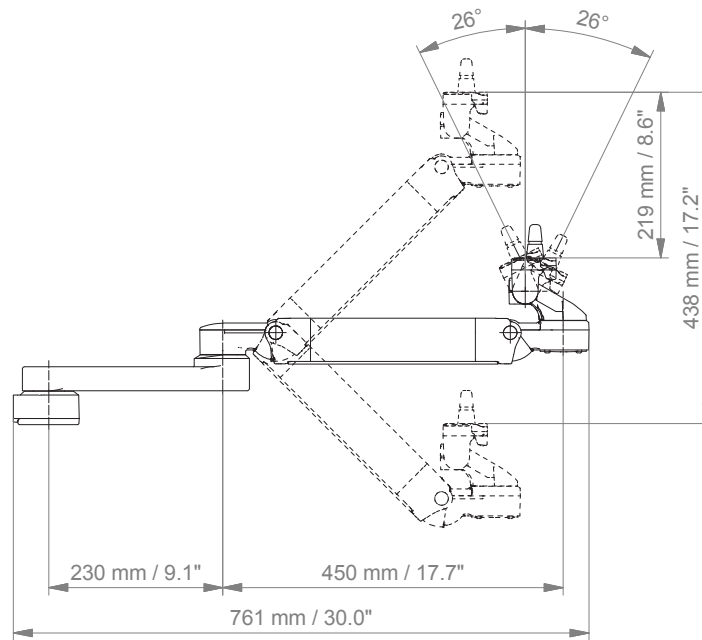
9

Adapter for Löwenstein Medical anaesthesia machines

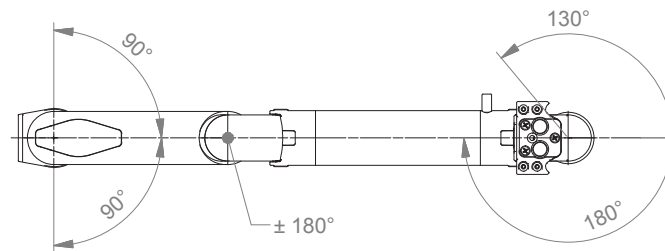
Extended height adjustable arm

Technical data

SIDE VIEW



TOP VIEW



High position height adjustable arm

MD



Monitor adaption

prepared to accept Philips table top mount

Height adjustment

slow-flowing spring, parallel linkage for a constant viewing angle

Colours to choose

decorative parts RAL 5013 cobalt blue / RAL 7024 graphite grey
 aluminum parts RAL 9016 traffic white / RAL 9002 grey white

Max. load capacity support arm

22 kg / 48.5 lbs

Max. load monitor adaptation

22 kg / 48.5 lbs

Product weight

4.1 kg / 9.0 lbs

Balancing range

600 N (2-5 kg / 4.4-11 lbs); 950 N (4-9 kg / 8.8-19.8 lbs); 1100 N (4.5-12.5 kg / 9.9-27.6 lbs); 1300 N (7.5-13 kg / 16.5-28.7 lbs); 1600 N (12.5-19 kg / 27.6-41.9 lbs); 1750 N (13-16 kg / 28.7-35.3 lbs); 2200 N (16-22 kg / 35.3-48.5 lbs)

Part number

A-531PH-Y.CD_X

Fixings

Y | details page 52



4S

Adapter for vertical wall channel



3

Vertical rail clamp



1V

Universal pole clamp



1

1B
1F
1C

Fixed pole clamp



13

Adapter for Mindray medical supply units



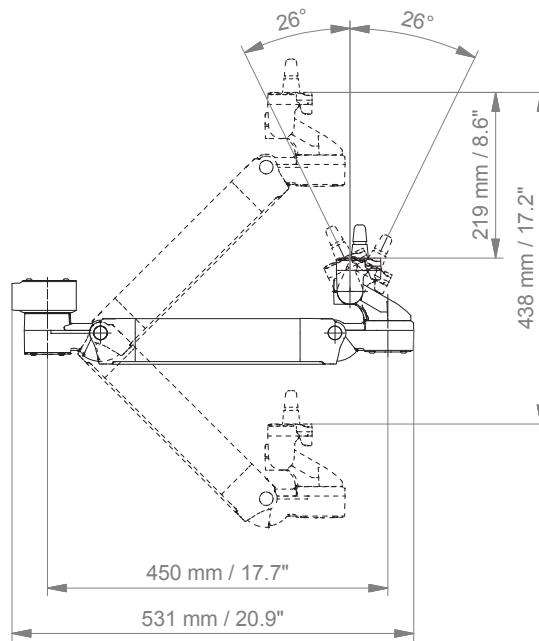
17

Adapter for Amico pendants & headwalls

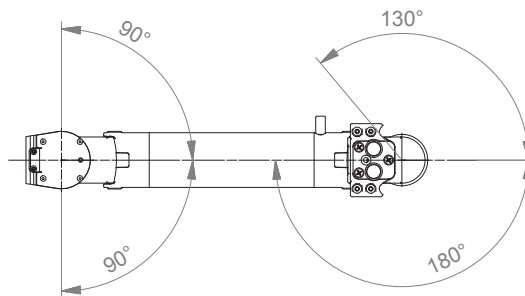
High position height adjustable arm

Technical data

SIDE VIEW

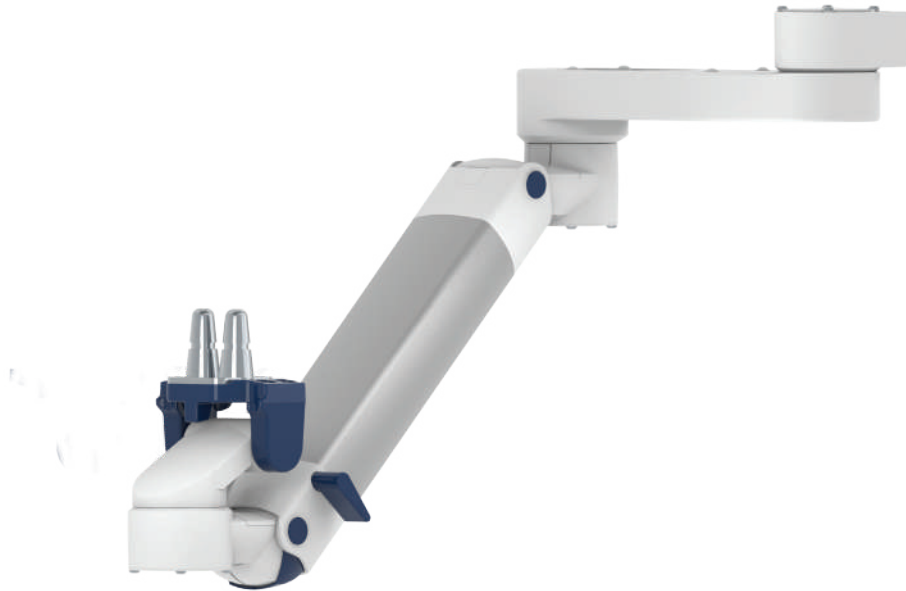


TOP VIEW



Extended high position height adjustable arm

MD



Monitor adaption	prepared to accept Philips table top mount
Height adjustment	slow-flowing spring, parallel linkage for a constant viewing angle
Colours to choose	decorative parts RAL 5013 cobalt blue / RAL 7024 graphite grey aluminum parts RAL 9016 traffic white / RAL 9002 grey white
Max. load capacity support arm	22 kg / 48.5 lbs
Max. load monitor adaption	22 kg / 48.5 lbs
Product weight	5.2 kg/ 11.5 lbs
Balancing range	600 N (2-5 kg / 4.4-11 lbs); 950 N (4-9 kg / 8.8-19.8 lbs); 1100 N (4.5-12.5 kg / 9.9-27.6 lbs); 1300 N (7.5-13 kg / 16.5-28.7 lbs); 1600 N (12.5-19 kg / 27.6-41.9 lbs); 1750 N (13-16 kg / 28.7-35.3 lbs); 2200 N (16-22 kg / 35.3-48.5 lbs)
Part number	A-83130PH-Y.CD_X

Fixings

Y | details page 52



4S

Adapter for vertical wall channel



3

Vertical rail clamp



1V

Universal pole clamp



1

1B
1F
1C

Fixed pole clamp



13

Adapter for Mindray medical supply units



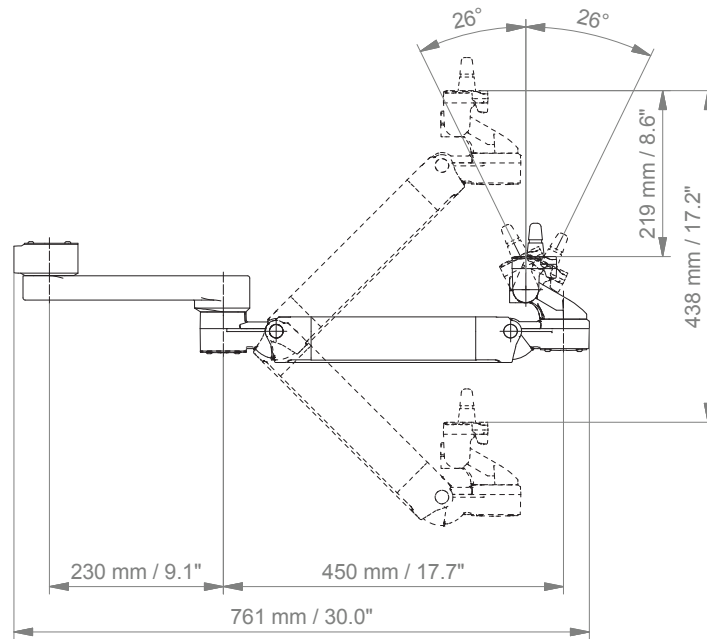
17

Adapter for Amico pendants & headwalls

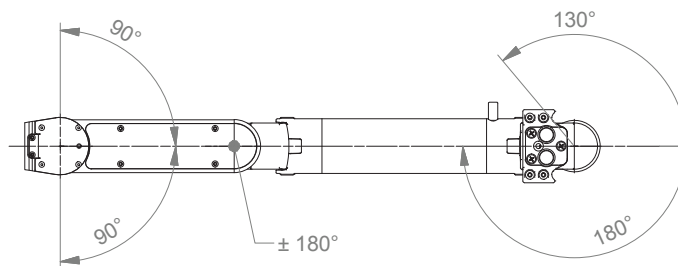
Extended high position height adjustable arm

Technical data

SIDE VIEW



TOP VIEW



Counter top

MD



Monitor adaption

prepared to accept Philips table top mount

Colours to choose

decorative parts RAL 5013 cobalt blue / RAL 7024 graphite grey
 aluminum parts RAL 9016 traffic white / RAL 9002 grey white

Max. load monitor adaptation

18 kg / 39.7 lbs

Part number

counter top with base plate (see illustration)

T-HPH-60.CD_50 height 50 mm / 2"

T-HPH-60.CD_120 height 120 mm / 4.7"

counter top without base plate

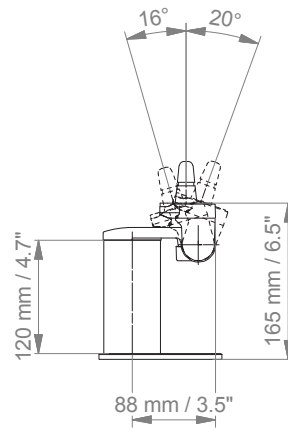
T-HPH-69.CD_50 height 50 mm / 2"

T-HPH-69.CD_120 height 120 mm / 4.7"

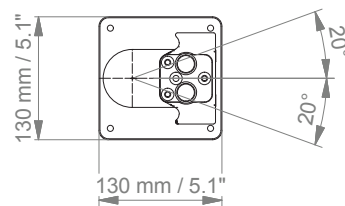
Counter top

Technical data - with base plate

SIDE VIEW

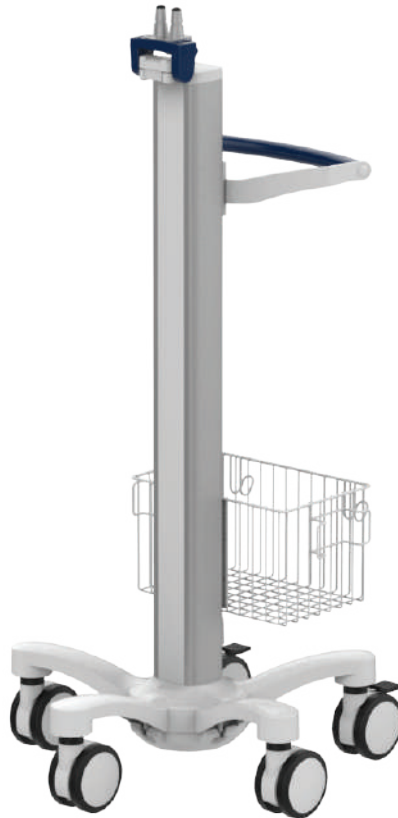


TOP VIEW



Cart light duty

MD

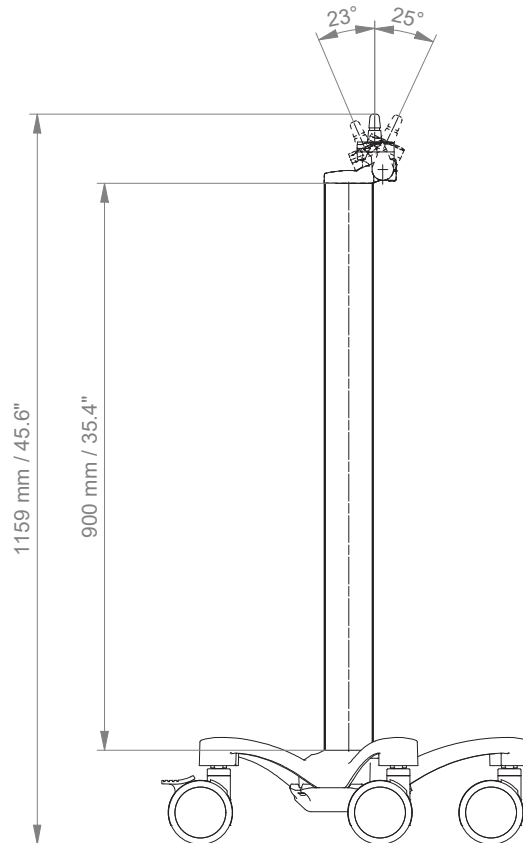


Monitor adaption	prepared to accept Philips table top mount
Accessories	5-star base aluminum base with counter weight double wheel castors, ø 100 mm/ 3.9", 2 lockable column to accept components and accessories on opposite sides
Colours to choose	decorative parts RAL 5013 cobalt blue / RAL 7024 graphite grey base RAL 9016 traffic white handle RAL 9016 traffic white / RAL 5013 cobalt blue / RAL 7024 graphite grey
Max. load capacity	14 kg / 30.9 lbs
Optional accessories	basket big 300 x 200 x 180 mm/ 11.8 x 7.9 x 7.1" basket small 200 x 150 x 100 mm/ 7.9 x 5.9 x 3.9" handle
Part number	cart R-002PH.CD basket big Z-51-4Z.1 basket small Z-52-4Z.1 handle Z-HD-4.C1

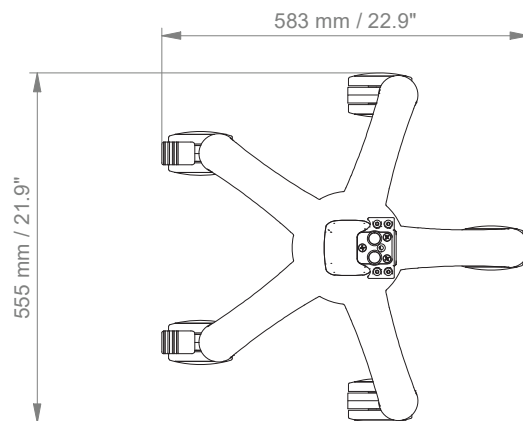
Cart light duty

Technical data

SIDE VIEW



TOP VIEW



Cart light duty kit Philips MX with FMS

MD



Monitor adaption

prepared to accept Philips table top mount

Cart light duty

5-star base aluminum base with counter weight
 double wheel castors, ø 100 mm / 3.9", 2 lockable
 column to accept components and accessories on opposite sides

Colours

decorative parts RAL 5013 cobalt blue
 base RAL 9016 traffic white
 handle RAL 9016 traffic white

Maximum load monitor adaptation

9.5 kg / 20.9 lbs

Maximum load FMS

10 kg / 22 lbs

Maximum load basket

2.5 kg / 5.5 lbs

Kit number

R-002PH.bl1_286834

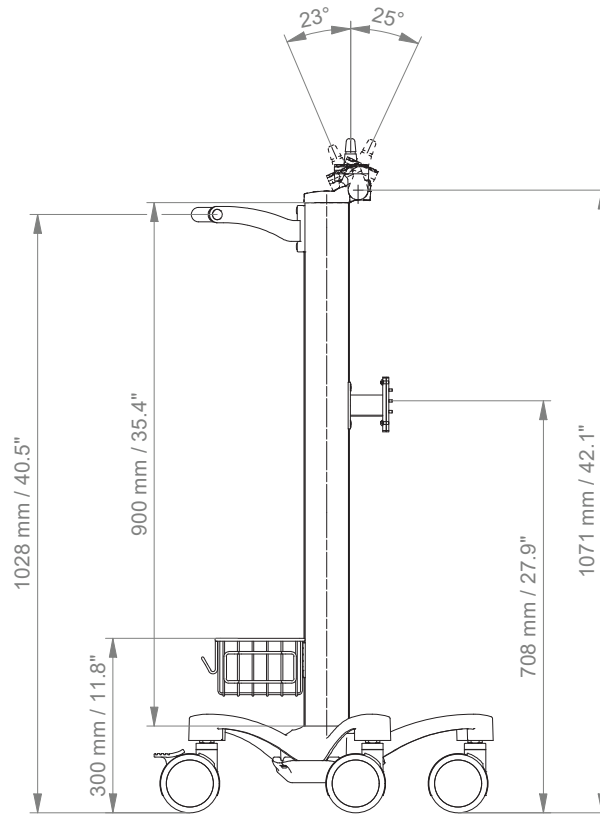
Consisting of the following parts:

- R-002PH.bl1 cart light duty
- Z-HD-4.w1 handle for carts
- Z-FMS-4Z.e1_56 FMS adaptation
- Z-52-4Z.1 basket small 200 x 150 x 100 mm / 7.9 x 5.9 x 3.9"

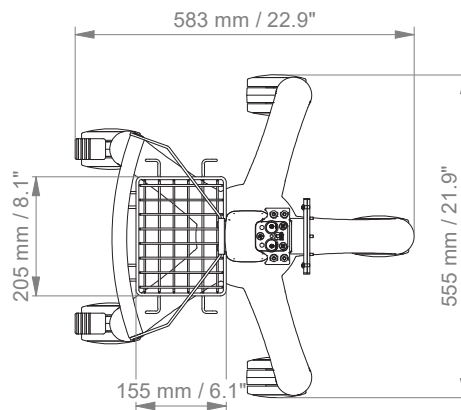
Cart light duty kit Philips MX with FMS

Technical data

SIDE VIEW



TOP VIEW



Support arm pivot for FMS



Monitor adaption

adapter for FMS

Colours to choose

decorative parts RAL 5013 cobalt blue / RAL 7024 graphite grey
 aluminum parts RAL 9016 traffic white / RAL 9002 grey white

Max. load capacity support arm

18 kg / 39.7 lbs

Max. load monitor adaption

18 kg / 39.7 lbs

Product weight

arm type 240	arm type 300
1.6 kg/ 3.5 lbs	1.7 kg/ 3.8 lbs

Part number

arm type 240	arm type 300
A-224FMS-Y.CD	A-230FMS-Y.CD

Fixings

Y | details page 52 and 53



4S

Adapter for vertical wall channel



2F

Horizontal rail clamp



3

Vertical rail clamp



1V

Universal pole clamp



1
1B
1F
1C

Fixed pole clamp



13

Adapter for Mindray medical supply units



17

Adapter for Amico pendants & headwalls



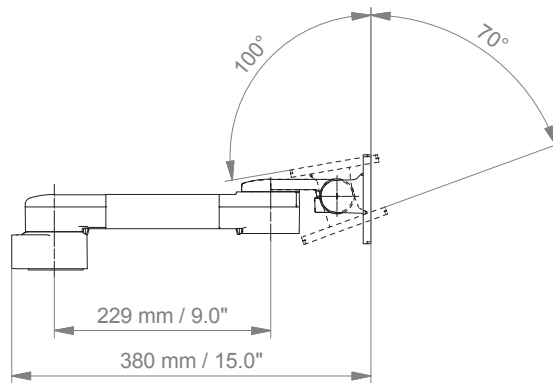
9

Adapter for Löwenstein Medical anaesthesia machines

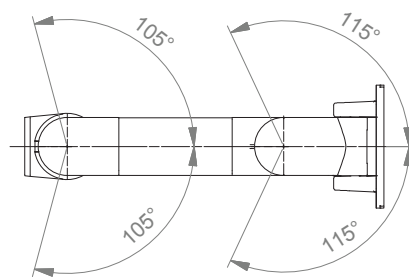
Support arm pivot for FMS

Technical data - arm type 300

SIDE VIEW

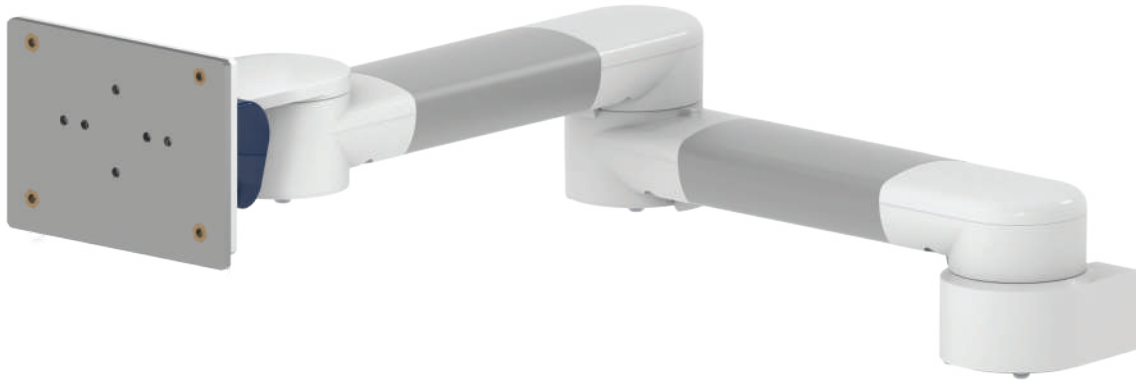


TOP VIEW



Extended pivot arm light duty for FMS

MD



Monitor adaption

adapter for FMS

Colours to choose

decorative parts RAL 5013 cobalt blue / RAL 7024 graphite grey
 aluminum parts RAL 9016 traffic white / RAL 9002 grey white

Max. load capacity support arm

8 kg / 17.6 lbs

Max. load monitor adaption

8 kg / 17.6 lbs

Product weight

arm type 240	arm type 300
2.4 kg / 5.3 lbs	2.6 kg / 5.7 lbs

Part number

arm type 240	arm type 300
A-32424FMS-Y.CD	A-33030FMS-Y.CD

Fixings

Y | details page 52 and 53



Adapter for vertical wall channel



Horizontal rail clamp



Vertical rail clamp



Universal pole clamp



Fixed pole clamp



Adapter for Mindray medical supply units



Adapter for Amico pendants & headwalls

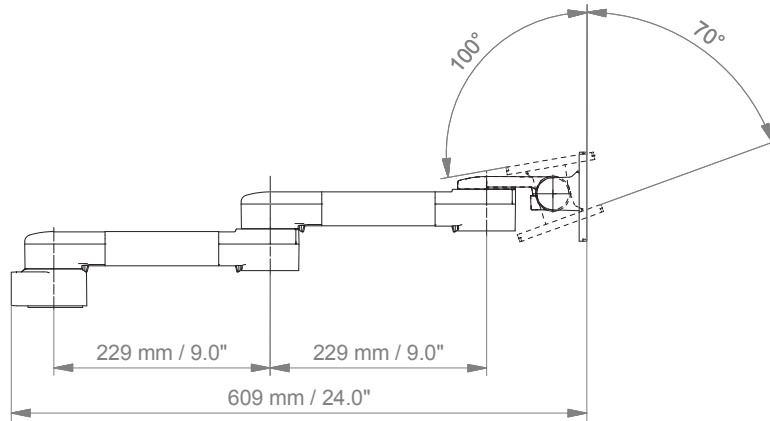


Adapter for Löwenstein Medical anaesthesia machines

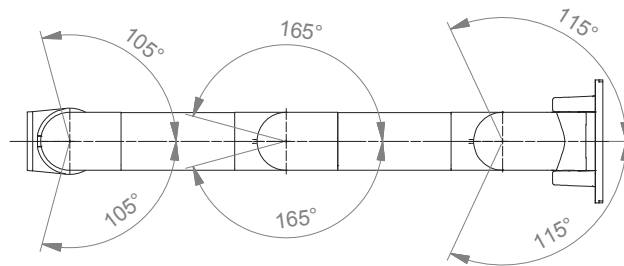
Extended pivot arm light duty for FMS

Technical data - arm type 300

SIDE VIEW



TOP VIEW



Down post for IntelliVue FMS



Part number

To attach to non-height adjustable arms

Z-DPR-70.CD_150 rotatable, length 150 mm / 5.9", max. load 12 kg / 26.5 lbs

Z-DPR-70.CD_300 rotatable, length 300 mm / 11.8", max. load 10 kg / 22 lbs

To attach to height adjustable arms

Z-DPR-71.CD_150 rotatable, length 150 mm / 5.9", max. load 12 kg / 26.5 lbs

Z-DPR-71.CD_300 rotatable, length 300 mm / 11.8", max. load 10 kg / 22 lbs

Mount for MP2/ X2/ X3

MD

MP2/ X2/ X3 mount with power supply

- Part no. Z-MP2PS-6.bl1 univeral horizontal rail clamp
- Part no. Z-MP2PS-3.1 vertical rail clamp
- Part no. Z-MP2PS-4Z.1 adapter for vertical wall channel (illustration)
- Part no. Z-MP2PS-1V.1 universal pole clamp



MD

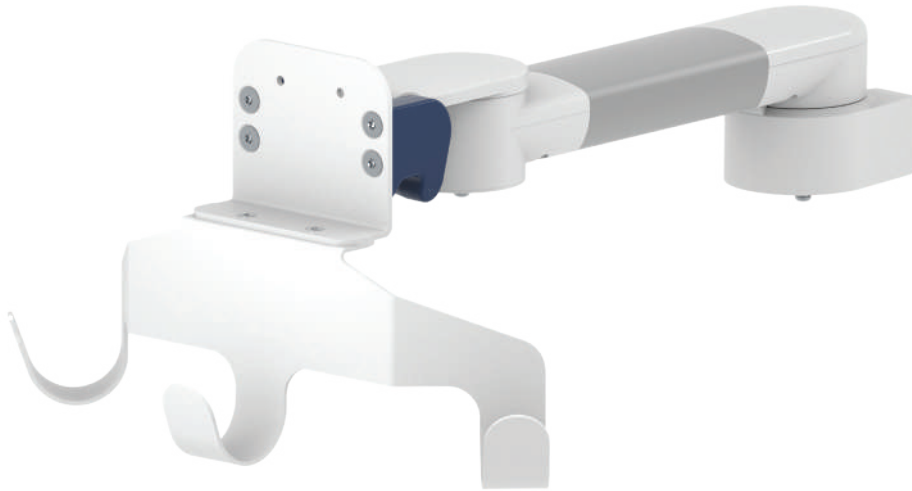
MP2/ X2/ X3 mount without power supply

- Part no. Z-MP2-6.bl1 univeral horizontal rail clamp
- Part no. Z-MP2-3.1 vertical rail clamp
- Part no. Z-MP2-4Z.1 adapter for vertical wall channel (illustration)
- Part no. Z-MP2-1V.1 universal pole clamp



Support arm pivot for MP2/ X2/ X3

MD



Monitor adaption

adapter for MP2/ X2/ X3

Colours to choose

decorative parts RAL 5013 cobalt blue / RAL 7024 graphite grey
 aluminum parts RAL 9016 traffic white / RAL 9002 grey white

Max. load capacity support arm

18 kg / 39.7 lbs

Max. load monitor adaption

18 kg / 39.7 lbs

Product weight

arm type 240	arm type 300	
2.1 kg / 4.6 lbs	2.2 kg / 4.9 lbs	without power supply (illustration)
2.3 kg / 5.1 lbs	2.5 kg / 5.5 lbs	with power supply

Part number

arm type 240	arm type 300	
A-224MP2-Y.CD	A-230MP2-Y.CD	without power supply (illustration)
A-224MP2PS-Y.CD	A-230MP2PS-Y.CD	with power supply

Fixings

Y | details page 52 and 53



4S

Adapter for vertical wall channel



2F

Horizontal rail clamp



3

Vertical rail clamp



1V

Universal pole clamp



1
1B
1F
1C

Fixed pole clamp



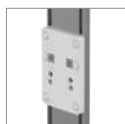
13

Adapter for Mindray medical supply units



17

Adapter for Amico pendants & headwalls



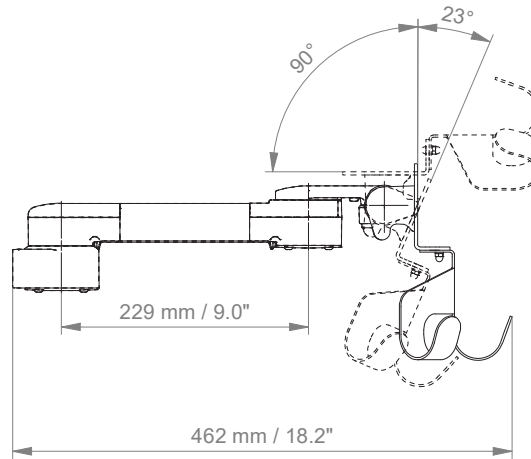
9

Adapter for Löwenstein Medical anaesthesia machines

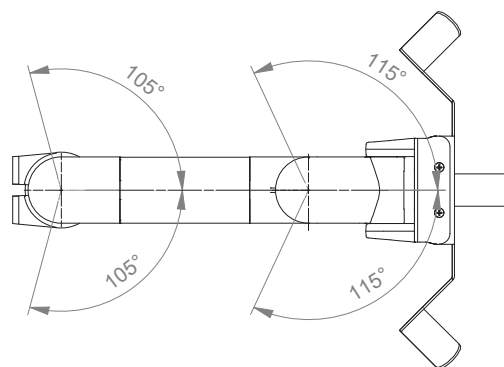
Support arm pivot for MP2/ X2/ X3

Technical data - arm type 300

SIDE VIEW

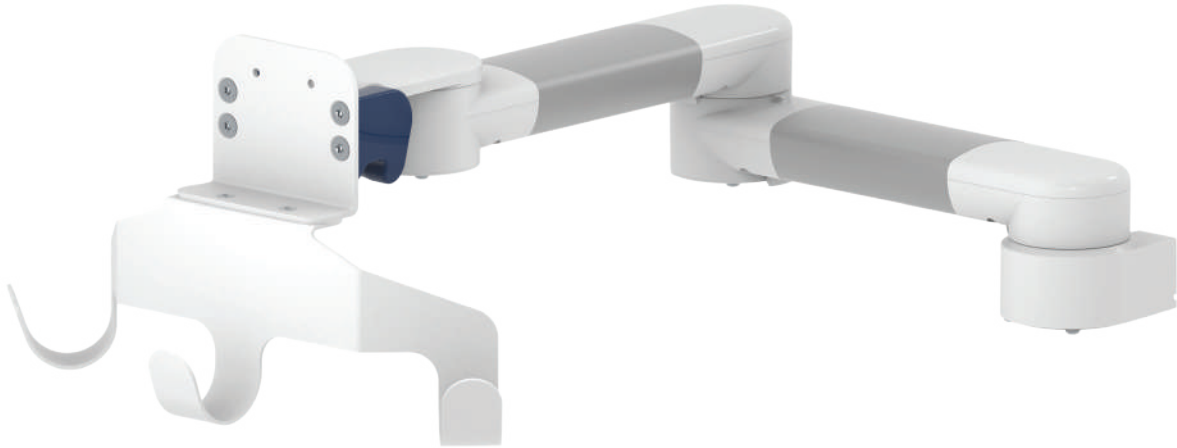


TOP VIEW



Extended pivot arm light duty for MP2/ X2/ X3

MD



Monitor adaption

adapter for MP2/ X2/ X3

Colours to choose

decorative parts RAL 5013 cobalt blue / RAL 7024 graphite grey
 aluminum parts RAL 9016 traffic white / RAL 9002 grey white

Max. load capacity support arm

8 kg / 17.6 lbs

Max. load monitor adaption

8 kg / 17.6 lbs

Product weight

3.2 kg / 7.1 lbs without power supply (illustration)
 3.4 kg / 7.5 lbs with power supply

Part number

A-33030MP2-Y.CD without power supply (illustration)
 A-33030MP2PS-Y.CD with power supply

Fixings

Y | details page 52 and 53



4S
 Adapter for vertical wall channel



2F
 Horizontal rail clamp



3
 Vertical rail clamp



1V
 Universal pole clamp



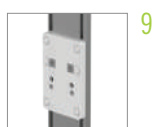
1
 1B
 1F
 1C
 Fixed pole clamp



13
 Adapter for Mindray medical supply units



17
 Adapter for Amico pendants & headwalls

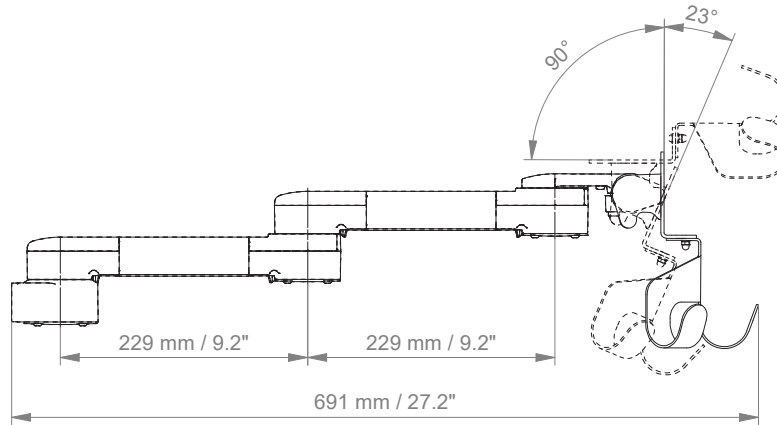


9
 Adapter for Löwenstein Medical anaesthesia machines

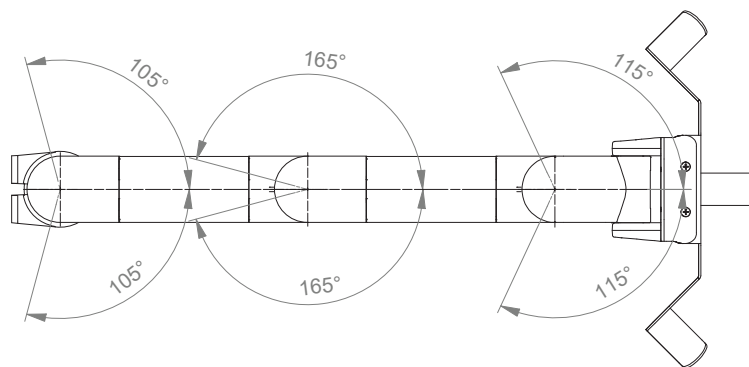
Extended pivot arm light duty for MP2/ X2/ X3

Technical data

SIDE VIEW



TOP VIEW



Support arm pivot for MP2/ X2/ X3, without cable hook

MD



Monitor adaption

adapter for MP2/ X2/ X3

Colours to choose

decorative parts RAL 5013 cobalt blue / RAL 7024 graphite grey
 aluminum parts RAL 9016 traffic white / RAL 9002 grey white

Max. load capacity support arm

18 kg / 39.7 lbs

Max. load monitor adaption

18 kg / 39.7 lbs

Product weight

arm type 240	arm type 300
1.5 kg / 3.3 lbs	1.7 kg / 3.7 lbs

Part number

arm type 240	arm type 300
A-224X2X3-Y.CD	A-230X2X3-Y.CD

Fixings

Y | details page 52 and 53



4S

Adapter for vertical wall channel



2F

Horizontal rail clamp



3

Vertical rail clamp



1V

Universal pole clamp



1
1B
1F
1C

Fixed pole clamp



13

Adapter for Mindray medical supply units



17

Adapter for Amico pendants & headwalls



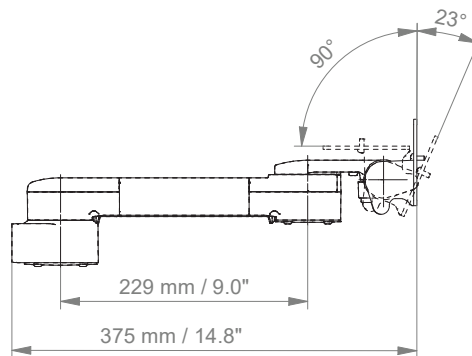
9

Adapter for Löwenstein Medical anaesthesia machines

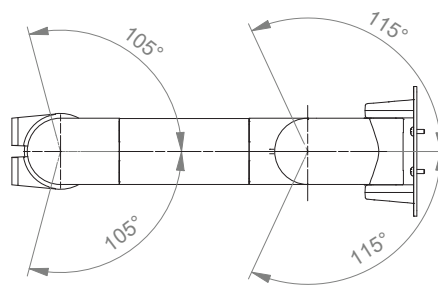
Support arm pivot for MP2/ X2/ X3, without cable hook

Technical data - arm type 300

SIDE VIEW

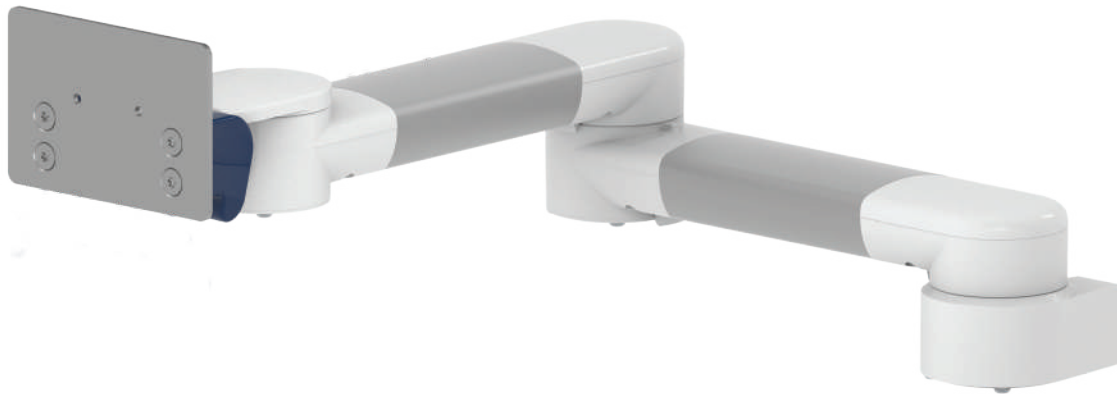


TOP VIEW



Extended pivot arm light duty for MP2/ X2/ X3, without cable hook

MD



Monitor adaption

adapter for MP2/ X2/ X3

Colours to choose

decorative parts RAL 5013 cobalt blue / RAL 7024 graphite grey
 aluminum parts RAL 9016 traffic white / RAL 9002 grey white

Max. load capacity support arm

8 kg / 17.6 lbs

Max. load monitor adaption

8 kg / 17.6 lbs

Product weight

2.6 kg / 5.7 lbs

Part number

A-33030X2X3-Y.CD

Fixings

Y | details page 52 and 53



Adapter for vertical wall channel



Horizontal rail clamp



Vertical rail clamp



Universal pole clamp



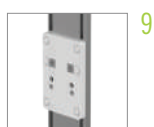
Fixed pole clamp



Adapter for Mindray medical supply units



Adapter for Amico pendants & headwalls

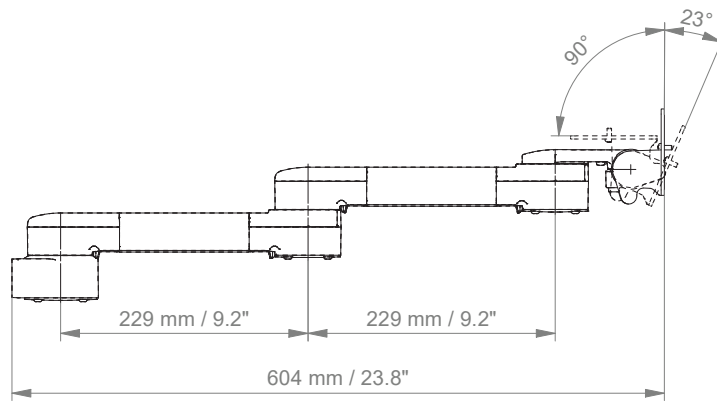


Adapter for Löwenstein Medical anaesthesia machines

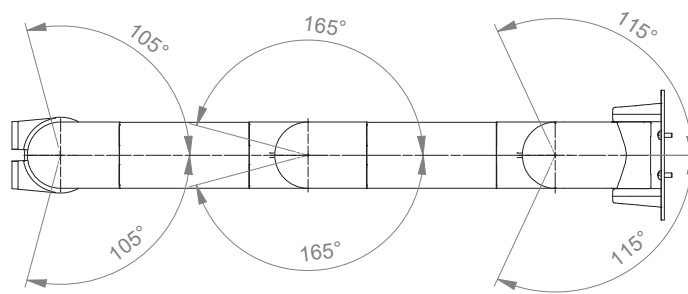
Extended pivot arm light duty for MP2/ X2/ X3, without cable hook

Technical data

SIDE VIEW



TOP VIEW



Height adjustable arm for MP2/ X2/ X3, without cable hook

MD



Monitor adaption	adapter for MP2/ X2/ X3
Height adjustment	slow-flowing spring, parallel linkage for a constant viewing angle
Colours to choose	decorative parts RAL 5013 cobalt blue / RAL 7024 graphite grey aluminum parts RAL 9016 traffic white / RAL 9002 grey white
Max. load capacity support arm	22 kg / 48.5 lbs
Max. load monitor adaptation	18 kg / 39.7 lbs
Product weight	3.5 kg / 7.7 lbs
Balancing range	240 N (0-3.5 kg / 0-7.7 lbs); 600 N (2-5 kg / 4.4-11 lbs)
Part number	A-431X2X3-Y.CD_X

Fixings

Y | details page 52 and 53



4S

Adapter for vertical wall channel



2F

Horizontal rail clamp



3

Vertical rail clamp



1V

Universal pole clamp



1
1B
1F
1C

Fixed pole clamp



13

Adapter for Mindray medical supply units



17

Adapter for Amico pendants & headwalls



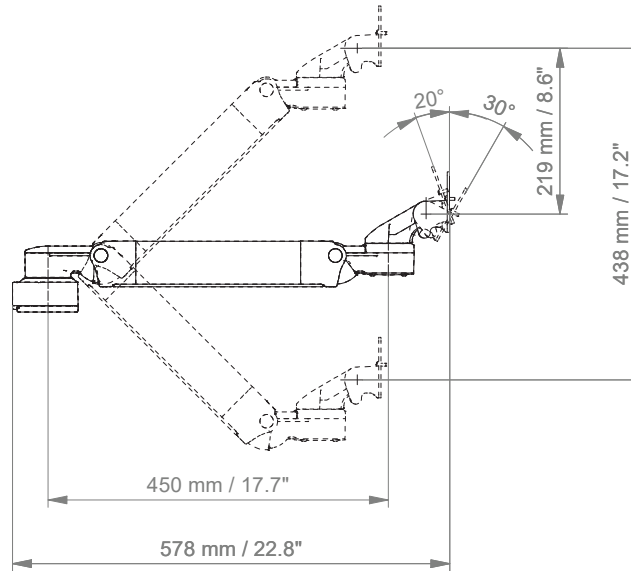
9

Adapter for Löwenstein Medical anaesthesia machines

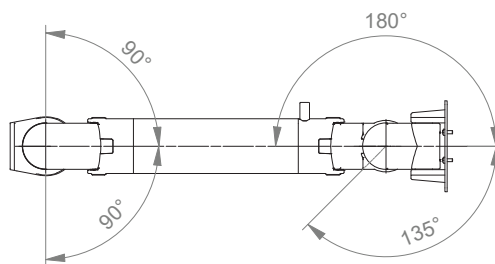
Height adjustable arm for MP2/ X2/ X3, without cable hook

Technical data

SIDE VIEW



TOP VIEW



Extended height adjustable arm for MP2/ X2/ X3, without cable hook

MD



Monitor adaption	adapter for MP2/ X2/ X3
Height adjustment	slow-flowing spring, parallel linkage for a constant viewing angle
Colours to choose	decorative parts RAL 5013 cobalt blue / RAL 7024 graphite grey aluminum parts RAL 9016 traffic white / RAL 9002 grey white
Max. load capacity support arm	22 kg / 48.5 lbs
Max. load monitor adaptation	18 kg / 39.7 lbs
Product weight	4.5 kg / 9.9 lbs
Balancing range	240 N (0-3.5 kg / 0-7.7 lbs); 600 N (2-5 kg / 4.4-11 lbs)
Part number	A-73130X2X3-Y.CD_X

Fixings

Y | details page 52 and 53



4S

Adapter for vertical wall channel



2F

Horizontal rail clamp



3

Vertical rail clamp



1V

Universal pole clamp



1
1B
1F
1C

Fixed pole clamp



13

Adapter for Mindray medical supply units



17

Adapter for Amico pendants & headwalls



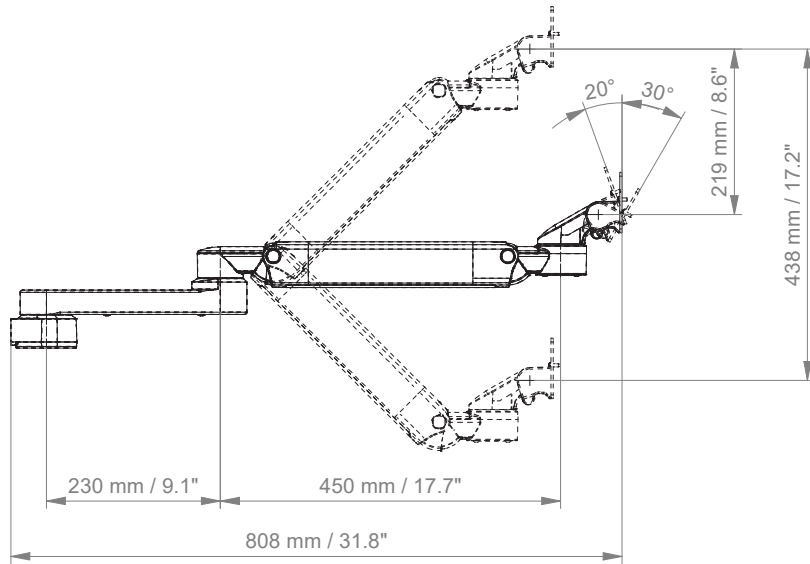
9

Adapter for Löwenstein Medical anaesthesia machines

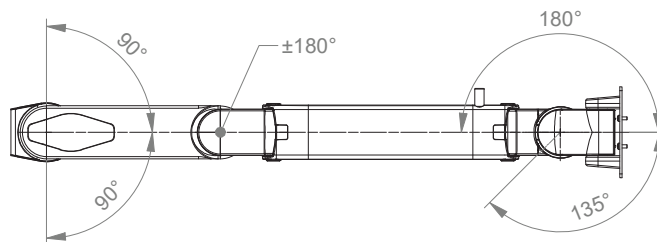
Extended height adjustable arm for MP2/ X2/ X3, without cable hook

Technical data

SIDE VIEW

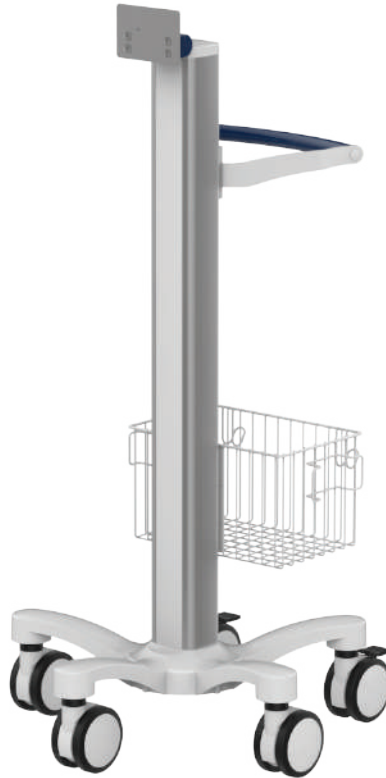


TOP VIEW



Cart light duty for MP2 / X2 / X3

MD

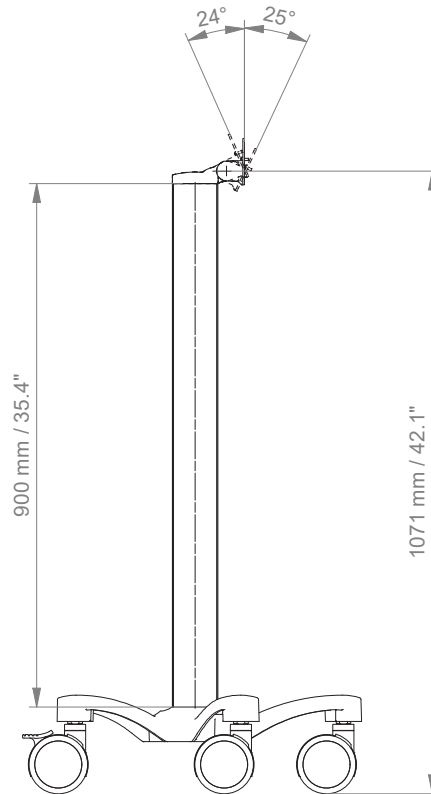


Monitor adaption	adapter for MP2/ X2/ X3	
Accessories	5-star base aluminum base with counter weight double wheel castors, ø 100 mm / 3.9", 2 lockable column to accept components and accessories on opposite sides	
Colours to choose	decorative parts	RAL 5013 cobalt blue / RAL 7024 graphite grey
	base	RAL 9016 traffic white
	handle	RAL 9016 traffic white / RAL 5013 cobalt blue / RAL 7024 graphite grey
Max. load capacity	7.0 kg / 15.4 lbs	
Optional accessories	basket big 300 x 200 x 180 mm/ 11.8 x 7.9 x 7.1" basket small 200 x 150 x 100 mm/ 7.9 x 5.9 x 3.9" handle	
Part number	cart	R-002X2X3.CD
	basket big	Z-51-4Z.1
	basket small	Z-52-4Z.1
	handle	Z-HD-4.C1

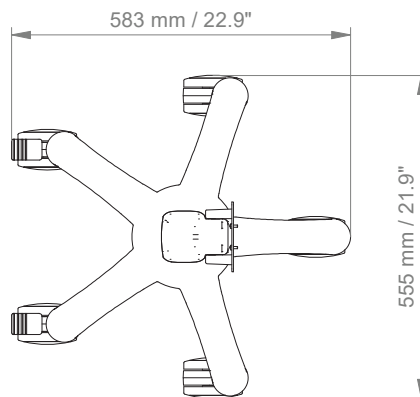
Cart light duty for MP2 / X2 / X3

Technical data

SIDE VIEW

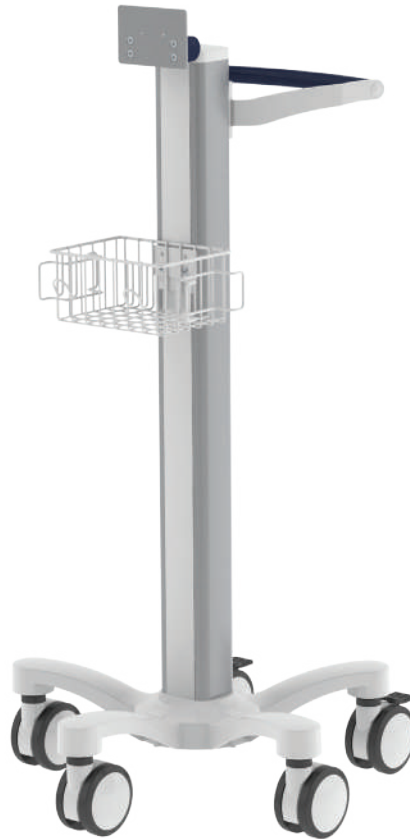


TOP VIEW



Cart light duty kit I for MP2 / X2 / X3

MD



Monitor adaption

adapter for MP2/ X2/ X3

Cart light duty

5-star base aluminum base without counter weight
double wheel castors, \varnothing 100 mm / 3.9", 2 lockable
column to accept components and accessories on opposite sides

Colours

decorative parts RAL 5013 cobalt blue
base RAL 9016 traffic white
handle RAL 9013 cobalt blue

Maximum load monitor adaptation

2 kg / 4.4 lbs

Maximum load basket

2.5 kg / 5.5 lbs

Kit number

PH-002X2X3-01.bl1

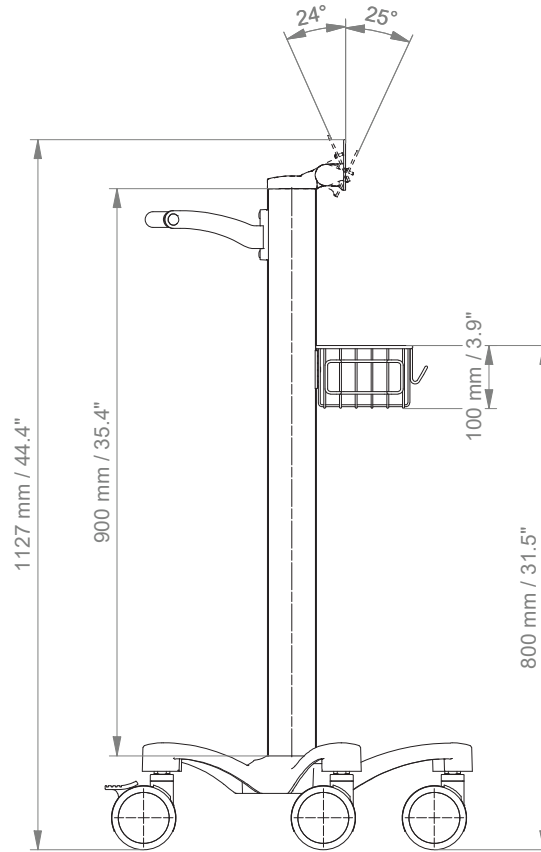
Consisting of the following parts:

R-002X2X3.bl1 cart light duty
Z-HD-4.bl1 handle for carts
Z-52-4Z.1 basket small 200 x 150 x 100 mm / 7.9 x 5.9 x 3.9"

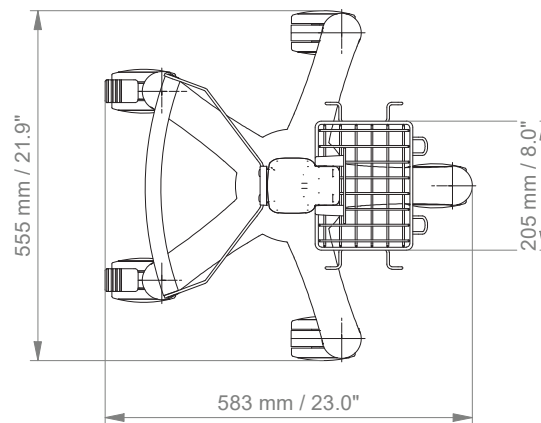
Cart light duty kit I for MP2 / X2 / X3

Technical data

SIDE VIEW

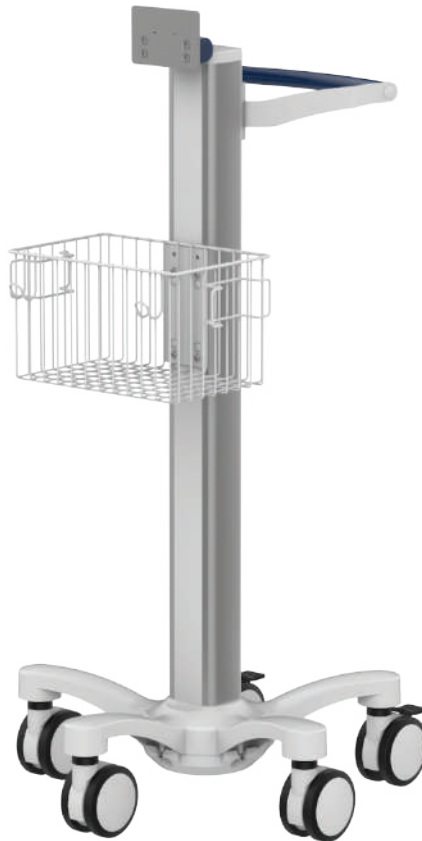


TOP VIEW



Cart light duty kit II for MP2 / X2 / X3

MD



Monitor adaption

adapter for MP2/ X2/ X3

Cart light duty

5-star base aluminum base with counter weight
double wheel castors, ø 100 mm / 3.9", 2 lockable
column to accept components and accessories on opposite sides

Colours

decorative parts RAL 5013 cobalt blue
base RAL 9016 traffic white
handle RAL 9013 cobalt blue

Maximum load monitor adaptation

2 kg / 4.4 lbs

Maximum load basket

10 kg / 22 lbs

Kit number

PH-002X2X3-02.bl1

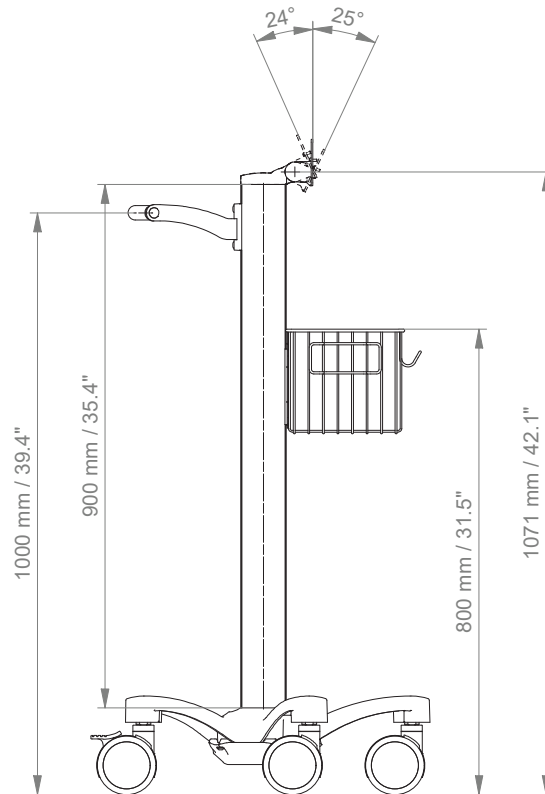
Consisting of the following parts:

- R-002X2X3.bl1 cart light duty
- Z-HD-4.bl1 handle for carts
- Z-52-4Z.1 basket big 300 x 200 x 180 mm / 11.8 x 7.9 x 7.1"
- Z-CT-7.1 counter weight

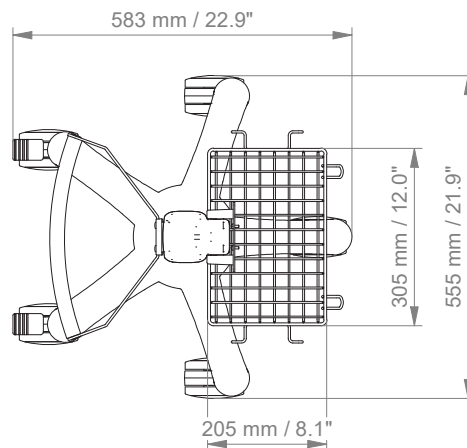
Cart light duty kit II for MP2 / X2 / X3

Technical data

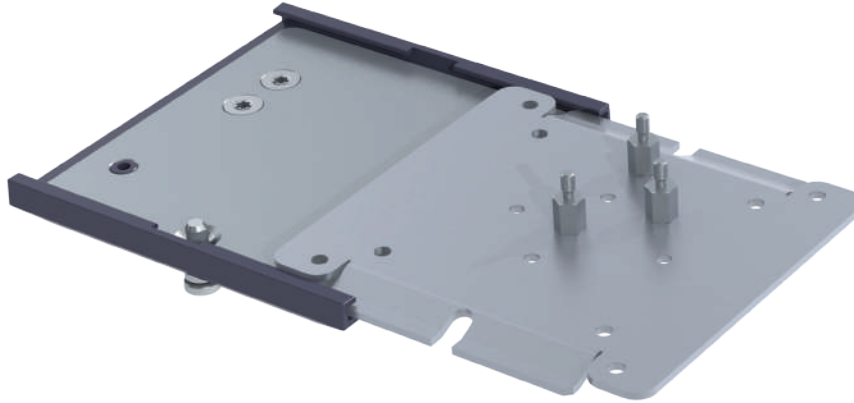
SIDE VIEW



TOP VIEW



Monitor-specific mounting adapter for Philips monitoring



Monitor Description	Description	Part No.
Sure Signs / Vital Signs	Mounting adapter for 5" plunge plate	PH-AP-SS
Efficia CM100 / CM120 / CM150	Mounting adapter for 5" plunge plate	PH-AP-EF








Adapter plates are intended for CIM products only.

These part numbers are valid only when ordered in combination with CIM support arms, carts or counter tops. Adapter plates ordered separately are subject to prior approval. Please note that in this case part numbers and prices will change.

Adapter plates for Sure Signs/ Vital Signs require a 5" plunge plate. You will find mounting solutions with 5" mounting plate in the catalogue: 5" plunge plate adaptation.




Fixings



Illustration	Description	Notes	Weight	Part no.
	Adapter for vertical wall channel	To mount to CIM wall channel (compatible with GCX channel) Please order separately: CIM wall channel, see catalogue accessoires	0.6 kg / 1.3 lbs	4S
	Horizontal rail clamp	To mount to horizontal European rails 10 x 25, 8 x 35, 10 x 30, 10 x 50 mm	1.1 kg / 2.4 lbs	2F
	Vertical rail clamp	To mount to vertical European rail 10 x 25 mm	0.5 kg / 1.1 lbs	3
	Universal pole clamp	V-block to mount to pole \varnothing 23 - 40 mm / 0.9 - 1.6"	0.6 kg / 1.3 lbs	1V
	Fixed pole clamp	To mount to pole \varnothing 25 mm / 1.0" To mount to pole \varnothing 30 mm / 1.2" To mount to pole \varnothing 35 mm / 1.4" To mount to pole \varnothing 38 mm / 1.5"	0.3 kg / 0.7 lbs 0.4 kg / 0.9 lbs 0.4 kg / 0.9 lbs 0.4 kg / 0.9 lbs	1 1B 1F 1C
	Adapter medical supply units	For Mindray medical supply units	0.8 kg / 1.8 lbs	13
	Adapter pendants & headwalls	For Amico pendants & headwalls	0.6 kg / 1.3 lbs	17

Fixings for anaesthesia machines



Illustration	Description	Notes	Weight	Part no.
	Adapter for Löwenstein Medical anaesthesia machines	Adapter for Leon / Leon plus	0.4 kg / 0.9 lbs	9
If your anaesthesia machine does not have a side channel already mounted to the machine, please order the following in addition to 4S:				
	Adapter for Dräger	Dräger Primus / Julian / Cato / Fabius GS / Zeus side channel adapter L 127 mm / 5" side channel adapter L 320 mm / 12.6"	0.5 kg / 1.1 lbs 1.0 kg / 2.2 lbs	DR-J01 DR-J02
	Adapter for GE	GE Avance / Aespire / Aestiva side channel adapter L 200 mm / 7.9"	0.5 kg / 1.1 lbs	DX-AES-01



CIM med GmbH

Euro-Industriepark
Margot-Kalinke-Str. 9
80939 Munich / Germany

T +49 89. 978 94 08-0

F +49 89. 978 94 08-29

M info@cim-med.com

www.cim-med.com

