



MOUNTING REFERENCE GUIDE

VESA 75/100 Adaptation

CIM Cable Integrated Mounting System



Content

General notes	3
How to create part numbers	4
Product highlights	6
Flush mount	7
Support arm pivot	9
Extended pivot arm light duty	11
Extended pivot arm heavy duty	13
Height adjustable arm	15
Extended height adjustable arm	17
High position height adjustable arm	19
Extended high position height adjustable arm	21
Counter top	23
Counter top for deep monitors	25
Cart light duty	27
Cart light duty kit	29
Fixings	31
Fixings for anaesthesia machines	32

General notes

Monitor adaptations

VESA adaptations are available in various versions:

- Standard VESA 75/100
- VESA rotatable (portrait/ landscape applications)
- VESA quick release for easy disassembly - refer to catalogue VESA 75/100 with quick release

Components' grounding

All arms with integrated cable management are equipped with **component grounding**. No grounding is required for arms with external or semi-integrated cable management with cables not being led through joints.

Load capacity

All **height adjustable arms** have a load capacity of 22 kg / 48.5 lbs. Rear mounted monitor adaptations and horizontally mounted 5" plunge plates accept a maximum monitor weight of 18 kg / 39.7 lbs. An additional 4 kg / 8.8 lbs may be mounted on a down post underneath the front swivel part. Depending on material and tensile factor all weight indications have a 4-fold and/ or 6-fold safety factor according to IEC 60601-1 standards.

Custom-designed solutions and MRI applications

Please contact us for **custom-designed** solutions.

Product marking

All products which are classified as medical product risk class 1 are CE marked. As **medical product risk class 1** they are conform with the regulations (EU) 2017/745 (MDR) and IEC 60601-1. Other standards of the IEC 60601 series are not applicable to our products, regardless of their version.

MD A stand-alone product that is already classified as a medical product class 1 before being integrated into an overall medical device. The product is CE-marked. A declaration of conformity is available.

~~MD~~ Accessories or spare parts that have no independent function and are therefore not subject to the MDR. These products are not CE-marked. A declaration of conformity is not required.

Warranty

All CIM arms have a 5-year warranty to be free of defects in material and functionality from the date of delivery.



How to create part numbers

Part numbers can be easily created by following the steps below:

Please replace the letters in **green** with the part no. code as per your requirements.

1. Components' grounding:

S	=	not grounded
A	=	grounded

2. Choose the arm version required:

910G / 910GS	=	flush mount
224G / 230G / 224GS / 230GS	=	support arm pivot
33030G / 33030GS	=	extended pivot arm light duty
H33030G / H33030GS	=	extended pivot arm heavy duty
431G / 431GS	=	height adjustable arm
73130G / 73130GS	=	extended height adjustable arm
531G / 531GS	=	high position height adjustable arm
83130G / 83130GS	=	extended high position height adjustable arm

3. Specify where you want to mount the arm and select the fixing (Y):

1V	=	pole ø 23 - 40 mm / 0.9 - 1.6"
1	=	pole ø 25 mm / 1.0"
1B	=	pole ø 30 mm / 1.2"
1F	=	pole ø 35 mm / 1.4"
1C	=	pole ø 38 mm / 1.5"
2F	=	horizontal rails 10 x 25, 8 x 35, 10 x 30, 10 x 50 mm
3	=	vertical rail 10 x 25 mm
4S	=	vertical wall channel
13	=	Mindray medical supply units
17	=	Amico pendants & headwalls
9	=	Löwenstein Medical anaesthesia machine

How to create part numbers

4. Choose the colour requested for decorative parts (C):

gr = RAL 7024 (graphite grey)
bl = RAL 5013 (cobalt blue)

5. Choose the colour requested for the aluminium die-cast parts (D):

1 = RAL 9016 (traffic white)
2 = RAL 9002 (grey white)

6. Specify the spring depending on the weight of your monitor/ device - only with height adjustable arms (X):

60 = 2 - 5 kg / 4.4 - 11 lbs
95 = 4 - 9 kg / 8.8 - 19.8 lbs
110 = 4.5 - 12.5 kg / 9.9 - 27.6 lbs
130 = 7.5 - 13 kg / 16.5 - 28.7 lbs
160 = 12.5 - 19 kg / 27.6 - 41.9 lbs
175 = 13 - 16 kg / 28.7 - 35.3 lbs
220 = 16 - 22 kg / 35.3 - 48.5 lbs

Example

01 Grounding		02 Arm version		03 Fixing		04 & 05 Colour		06 Spring tension
A	-	431G	-	Y	.	CD	-	X
A	-	431G	-	4S	.	gr1	-	95

Product highlights

Non-height adjustable arm

Pivot and extended pivot arms offer **full cable integration** and easy cleaning for **infection control** in all critical care areas in the clinical environment. Our **5-years warranty** guarantees reliable, trouble-free and maintenance-free operation. The swivel function at the fixing point as well as the **tilt/ swivel function** of the monitor adaptation offers optimum positioning of your device. The extended pivot arm is a two-part arm with central pivot point between the two arm sections. All bottom-mounted monitors have the safety feature of a **20° tilt stop**.

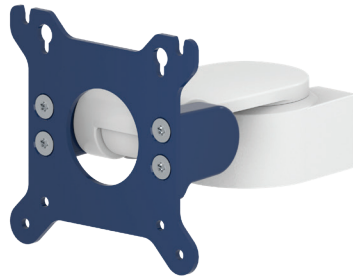
Height adjustable arm

The height adjustable arm offers **full cable integration**, one-wipe clean surfaces and our **5-year warranty** on the entirety of the product. Vertically and horizontally adjustable, the arm offers optimal positioning of your device. A constant viewing angle when vertically adjusted is guaranteed by a parallel linkage. **Weight-optimized springs counter-balance** the monitor without making any adjustments. All bottom-mounted monitors have the safety feature of a **20° tilt stop**. Individual rotational stops may be integrated in any joint.

To provide the perfect combination of arm and monitor, the CIM articulated height adjustable arm has a simple quarter-turn lock to hold the arm safely in position when removing the monitor. Furthermore the arm is equipped with the unique safety feature of a slow-release gas spring. Should anybody try to remove the monitor before locking the arm in position, the arm will only rise at a slow and even tempo.

SAFETY

Flush mount



Monitor adaption

VESA 75/100

Colours to choose

decorative parts RAL 5013 cobalt blue / RAL 7024 graphite grey
 aluminum parts RAL 9016 traffic white / RAL 9002 grey white

Max. load capacity support arm

18 kg / 39.7 lbs

Max. load monitor adaptation

18 kg / 39.7 lbs

Product weight

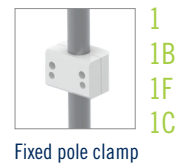
1 kg / 2.2 lbs VESA 75/100
 1.1 kg / 2.4 lbs VESA 75/100 rotatable

Part number

S-910G-Y.CD VESA 75/100
 S-910GS-Y.CD VESA 75/100 rotatable

Fixings

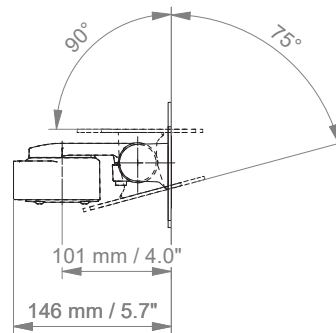
Y | details page 31



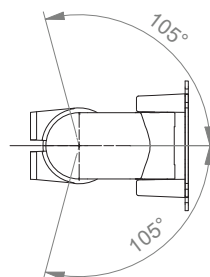
Flush mount

Technical data

SIDE VIEW

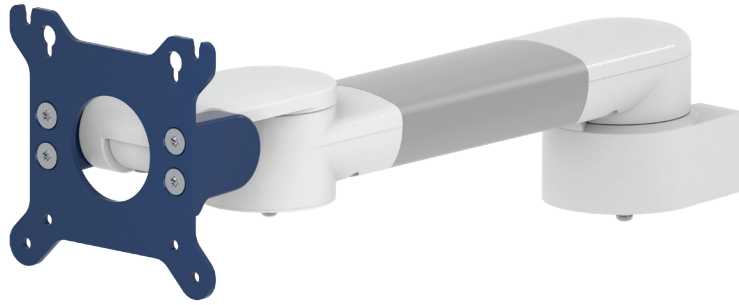


TOP VIEW



Support arm pivot

MD



Monitor adaption

VESA 75/100

Colours to choose

decorative parts RAL 5013 cobalt blue / RAL 7024 graphite grey
aluminum parts RAL 9016 traffic white / RAL 9002 grey white

Max. load capacity support arm

18 kg / 39.7 lbs

Max. load monitor adaptation

18 kg / 39.7 lbs

Product weight

arm type 240	arm type 300	
1.8 kg / 4.0 lbs	1.9 kg / 4.2 lbs	VESA 75/100
1.9 kg / 4.2 lbs	2.1 kg / 4.6 lbs	VESA 75/100 rotatable

Part number

arm type 240	arm type 300	
A-224G-Y.CD	A-230G-Y.CD	VESA 75/100
A-224GS-Y.CD	A-230GS-Y.CD	VESA 75/100 rotatable

Fixings

Y | details page 31 and 32



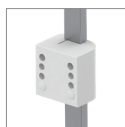
4S

Adapter for vertical wall channel



2F

Horizontal rail clamp



3

Vertical rail clamp



1V

Universal pole clamp



1
1B
1F
1C

Fixed pole clamp



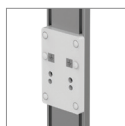
13

Adapter for Mindray medical supply units



17

Adapter for Amico pendants & headwalls



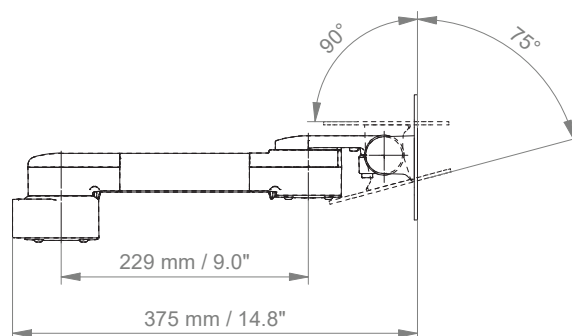
9

Adapter for Löwenstein Medical anaesthesia machines

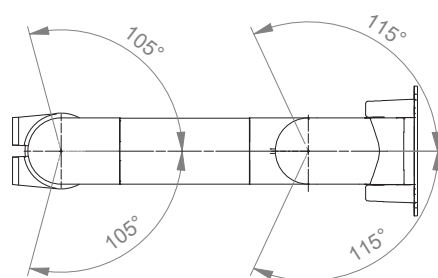
Support arm pivot

Technical data - arm type 300

SIDE VIEW

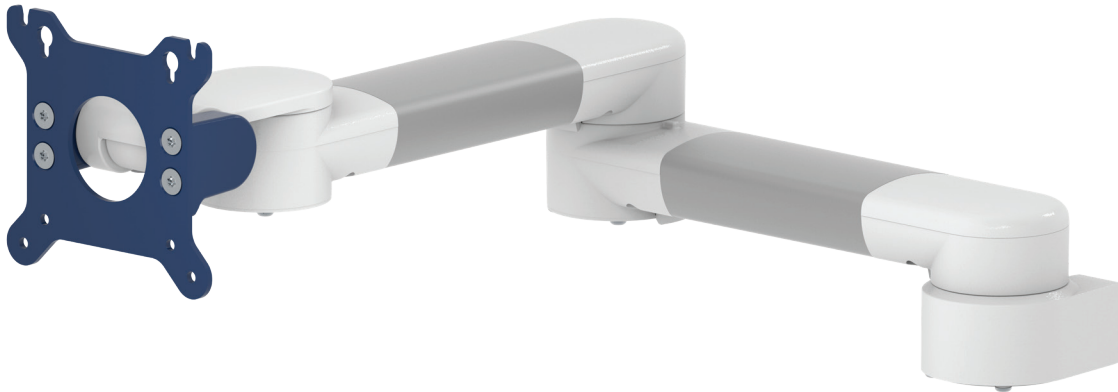


TOP VIEW



Extended pivot arm light duty

MD



Monitor adaption

VESA 75/100

Colours to choose

decorative parts RAL 5013 cobalt blue / RAL 7024 graphite grey
aluminum parts RAL 9016 traffic white / RAL 9002 grey white

Max. load capacity support arm

8 kg / 17.6 lbs

Max. load monitor adaptation

8 kg / 17.6 lbs

Product weight

2.9 kg / 6.4 lbs VESA 75/100
3.0 kg / 6.6 lbs VESA 75/100 rotatable

Part number

A-33030G-Y.CD VESA 75/100
A-33030GS-Y.CD VESA 75/100 rotatable

Fixings

Y | details page 31 and 32



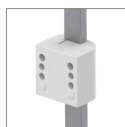
4S

Adapter for vertical wall channel



2F

Horizontal rail clamp



3

Vertical rail clamp



1V

Universal pole clamp



1
1B
1F
1C

Fixed pole clamp



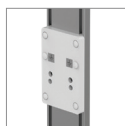
13

Adapter for Mindray medical supply units



17

Adapter for Amico pendants & headwalls



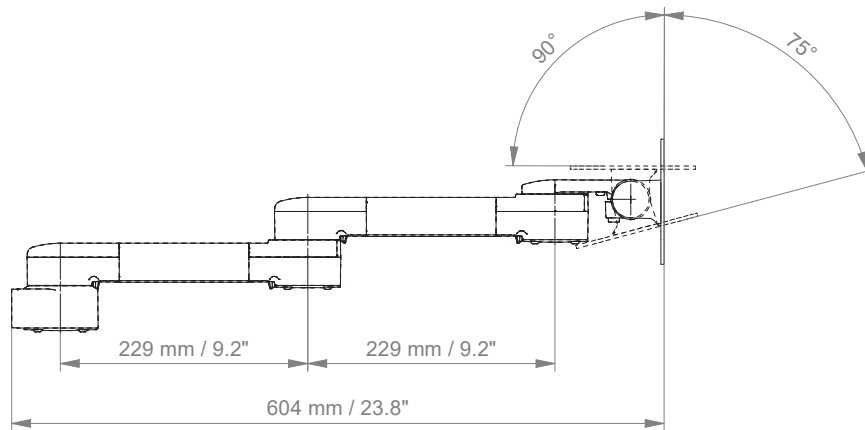
9

Adapter for Löwenstein Medical anaesthesia machines

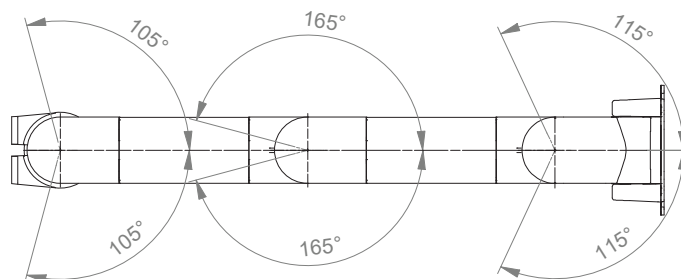
Extended pivot arm light duty

Technical data

SIDE VIEW

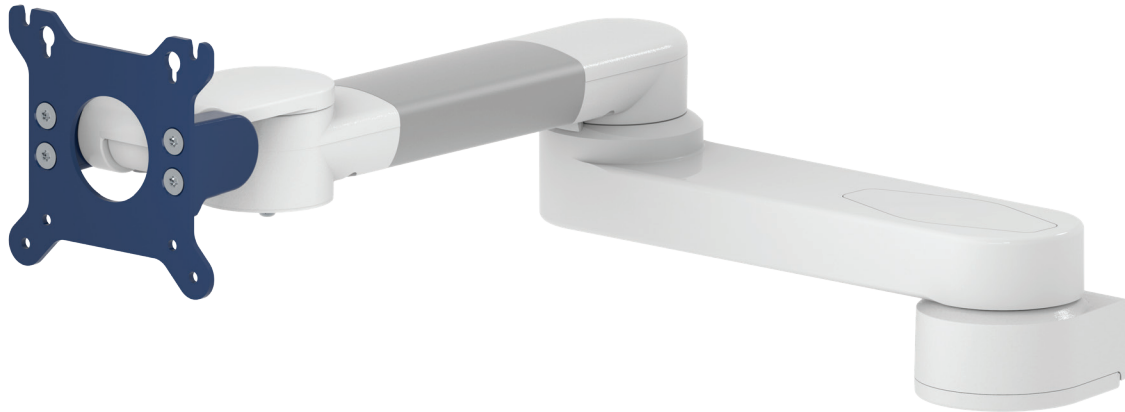


TOP VIEW



Extended pivot arm heavy duty

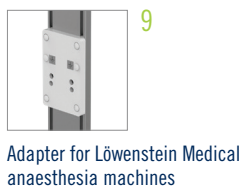
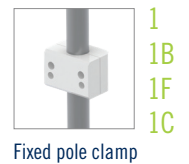
MD



Monitor adaption	VESA 75/100	
Colours to choose	decorative parts	RAL 5013 cobalt blue / RAL 7024 graphite grey
	aluminum parts	RAL 9016 traffic white / RAL 9002 grey white
Max. load capacity support arm	18 kg / 39.7 lbs	
Max. load monitor adaptation	18 kg / 39.7 lbs	
Product weight	3.1 kg / 6.8 lbs	VESA 75/100
	3.2 kg / 7.1 lbs	VESA 75/100 rotatable
Part number	A-H33030G-Y.CD	VESA 75/100
	A-H33030GS-Y.CD	VESA 75/100 rotatable

Fixings

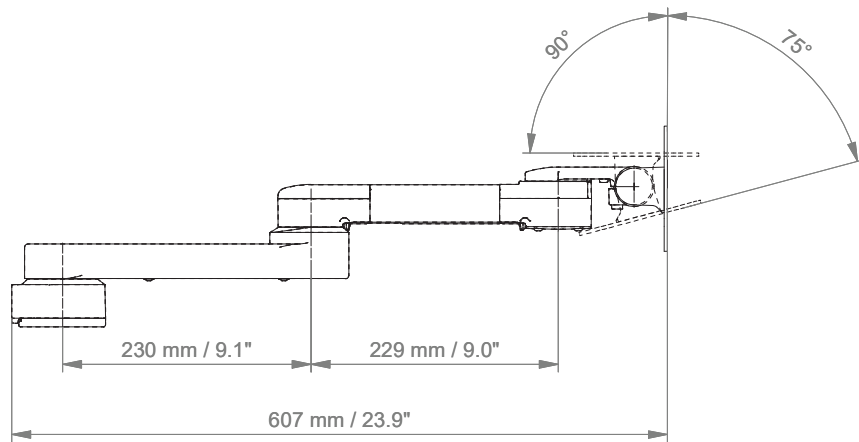
Y | details page 31 and 32



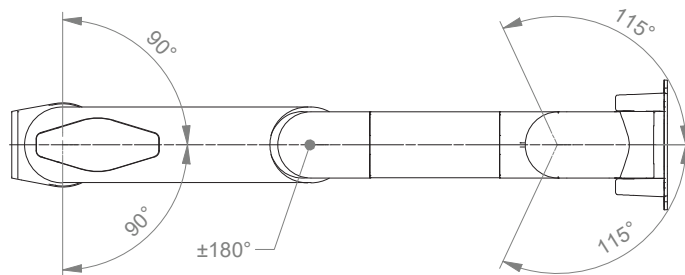
Extended pivot arm heavy duty

Technical data

SIDE VIEW

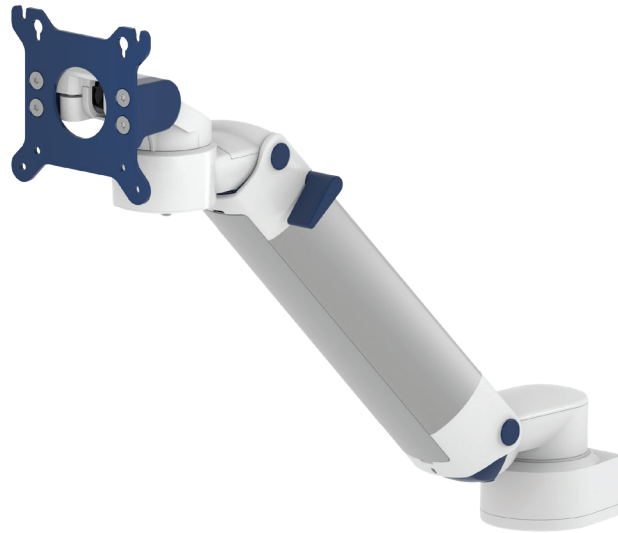


TOP VIEW



Height adjustable arm

MD



Monitor adaption	VESA 75/100
Height adjustment	slow-flowing spring, parallel linkage for a constant viewing angle
Colours to choose	decorative parts RAL 5013 cobalt blue / RAL 7024 graphite grey aluminum parts RAL 9016 traffic white / RAL 9002 grey white
Max. load capacity support arm	22 kg / 48.5 lbs
Max. load monitor adaption	18 kg / 39.7 lbs
Product weight	3.8 kg / 8.4 lbs VESA 75/100 3.9 kg / 8.6 lbs VESA 75/100 rotatable
Balancing range	600 N (2-5 kg / 4.4-11 lbs); 950 N (4-9 kg / 8.8-19.8 lbs); 1100 N (4.5-12.5 kg / 9.9-27.6 lbs); 1300 N (7.5-13 kg / 16.5-28.7 lbs); 1600 N (12.5-19 kg / 27.6-41.9 lbs); 1750 N (13-16 kg / 28.7-35.3 lbs); 2200 N (16-22 kg / 35.3-48.5 lbs)
Part number	A-431G-Y.CD_X VESA 75/100 A-431GS-Y.CD_X VESA 75/100 rotatable

Fixings

Y | details page 31 and 32



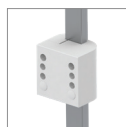
4S

Adapter for vertical wall channel



2F

Horizontal rail clamp



3

Vertical rail clamp



1V

Universal pole clamp



1
1B
1F
1C

Fixed pole clamp



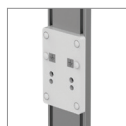
13

Adapter for Mindray medical supply units



17

Adapter for Amico pendants & headwalls



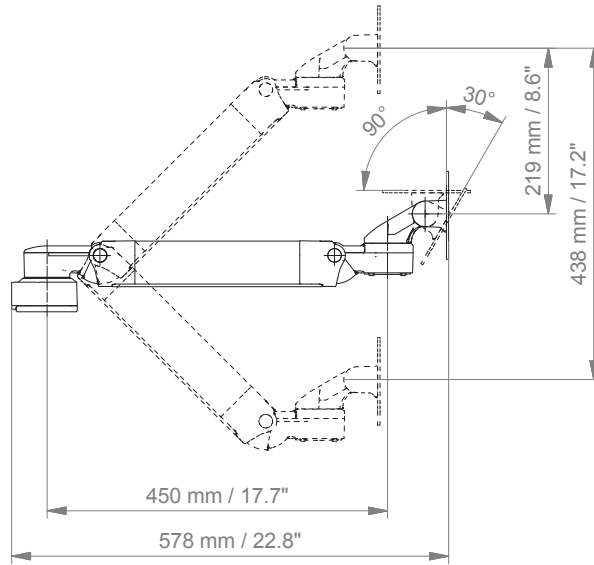
9

Adapter for Löwenstein Medical anaesthesia machines

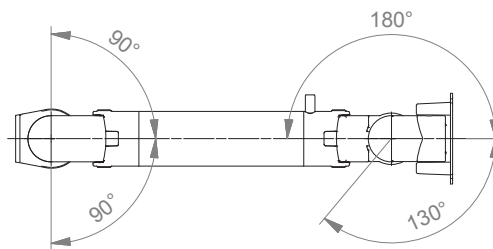
Height adjustable arm

Technical data

SIDE VIEW



TOP VIEW



Extended height adjustable arm



Monitor adaption	VESA 75/100	
Height adjustment	slow-flowing spring, parallel linkage for a constant viewing angle	
Colours to choose	decorative parts	RAL 5013 cobalt blue / RAL 7024 graphite grey
	aluminum parts	RAL 9016 traffic white / RAL 9002 grey white
Max. load capacity support arm	22 kg / 48.5 lbs	
Max. load monitor adaption	18 kg / 39.7 lbs	
Product weight	4.8 kg / 10.6 lbs	VESA 75/100
	4.9 kg / 10.8 lbs	VESA 75/100 rotatable
Balancing range	600 N (2-5 kg / 4.4-11 lbs); 950 N (4-9 kg / 8.8-19.8 lbs); 1100 N (4.5-12.5 kg / 9.9-27.6 lbs); 1300 N (7.5-13 kg / 16.5-28.7 lbs); 1600 N (12.5-19 kg / 27.6-41.9 lbs); 1750 N (13-16 kg / 28.7-35.3 lbs); 2200 N (16-22 kg / 35.3-48.5 lbs)	
Part number	A-73130G-Y.CD_X	VESA 75/100
	A-73130GS-Y.CD_X	VESA 75/100 rotatable

Fixings

Y | details page 31 and 32



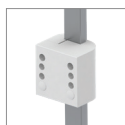
4S

Adapter for vertical wall channel



2F

Horizontal rail clamp



3

Vertical rail clamp



1V

Universal pole clamp



1
1B
1F
1C

Fixed pole clamp



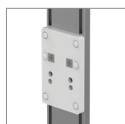
13

Adapter for Mindray medical supply units



17

Adapter for Amico pendants & headwalls



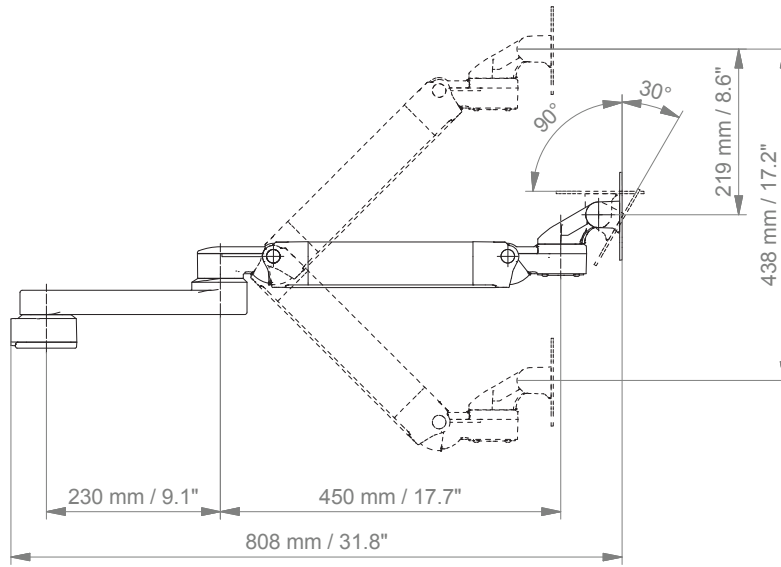
9

Adapter for Löwenstein Medical anaesthesia machines

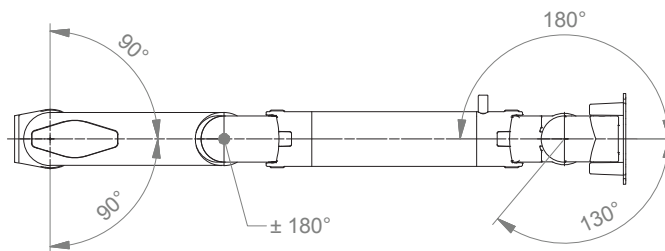
Extended height adjustable arm

Technical data

SIDE VIEW

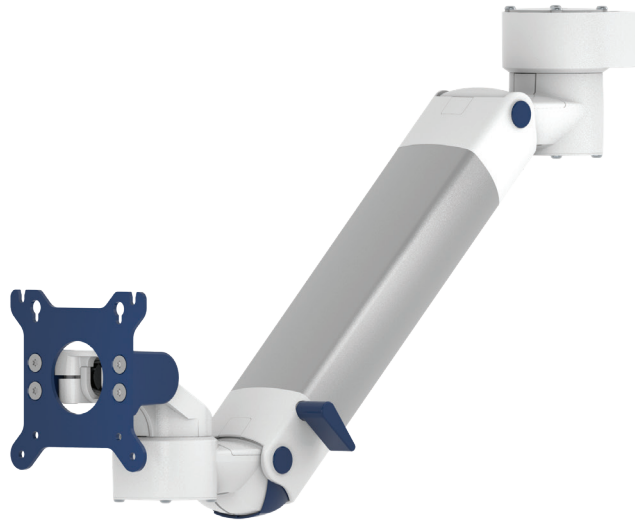


TOP VIEW



High position height adjustable arm

MD



Monitor adaption	VESA 75/100
Height adjustment	slow-flowing spring, parallel linkage for a constant viewing angle
Colours to choose	decorative parts RAL 5013 cobalt blue / RAL 7024 graphite grey aluminum parts RAL 9016 traffic white / RAL 9002 grey white
Max. load capacity support arm	22 kg / 48.5 lbs
Max. load monitor adaption	18 kg / 39.7 lbs
Product weight	4.1 kg / 9.0 lbs VESA 75/100 4.3 kg / 9.5 lbs VESA 75/100 rotatable
Balancing range	600 N (2-5 kg / 4.4-11 lbs); 950 N (4-9 kg / 8.8-19.8 lbs); 1100 N (4.5-12.5 kg / 9.9-27.6 lbs); 1300 N (7.5-13 kg / 16.5-28.7 lbs); 1600 N (12.5-19 kg / 27.6-41.9 lbs); 1750 N (13-16 kg / 28.7-35.3 lbs); 2200 N (16-22 kg / 35.3-48.5 lbs)
Part number	A-531G-Y.CD_X VESA 75/100 A-531GS-Y.CD_X VESA 75/100 rotatable

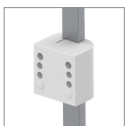
Fixings

Y | details page 31



4S

Adapter for vertical wall channel



3

Vertical rail clamp



1V

Universal pole clamp



1

1B
1F
1C

Fixed pole clamp



13

Adapter for Mindray medical supply units



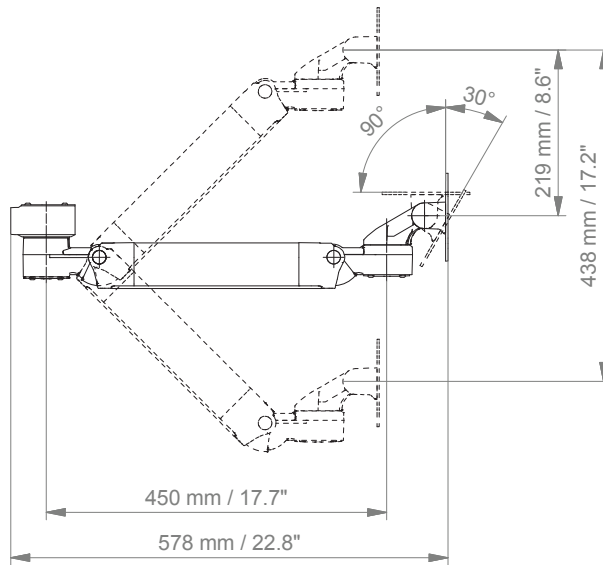
17

Adapter for Amico pendants & headwalls

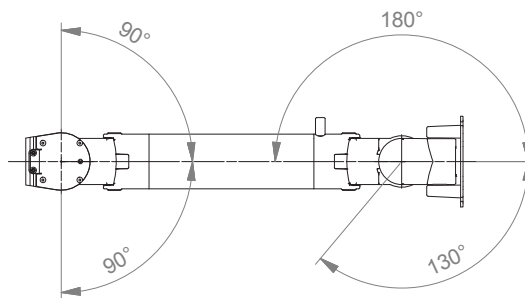
High position height adjustable arm

Technical data

SIDE VIEW

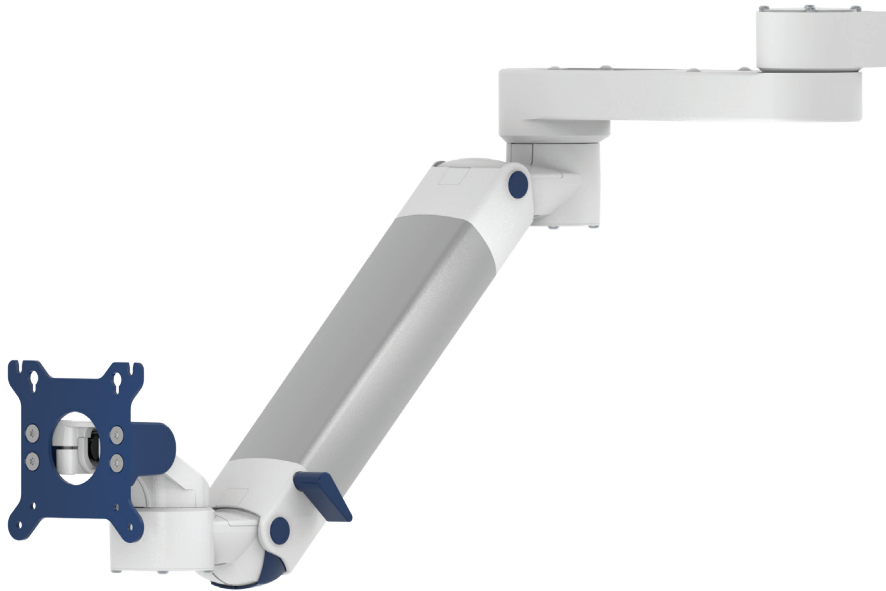


TOP VIEW



Extended high position height adjustable arm

MD



Monitor adaption	VESA 75/100	
Height adjustment	slow-flowing spring, parallel linkage for a constant viewing angle	
Colours to choose	decorative parts	RAL 5013 cobalt blue / RAL 7024 graphite grey
	aluminum parts	RAL 9016 traffic white / RAL 9002 grey white
Max. load capacity support arm	22 kg / 48.5 lbs	
Max. load monitor adaption	18 kg / 39.7 lbs	
Product weight	5.3 kg / 11.7 lbs	VESA 75/100
	5.4 kg / 11.9 lbs	VESA 75/100 rotatable
Balancing range	600 N (2-5 kg / 4.4-11 lbs); 950 N (4-9 kg / 8.8-19.8 lbs); 1100 N (4.5-12.5 kg / 9.9-27.6 lbs); 1300 N (7.5-13 kg / 16.5-28.7 lbs); 1600 N (12.5-19 kg / 27.6-41.9 lbs); 1750 N (13-16 kg / 28.7-35.3 lbs); 2200 N (16-22 kg / 35.3-48.5 lbs)	
Part number	A-83130G-Y.CD_X	VESA 75/100
	A-83130GS-Y.CD_X	VESA 75/100 rotatable

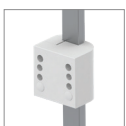
Fixings

Y | details page 31



4S

Adapter for vertical wall channel



3

Vertical rail clamp



1V

Universal pole clamp



1

1B

1F

1C

Fixed pole clamp



13

Adapter for Mindray medical supply units



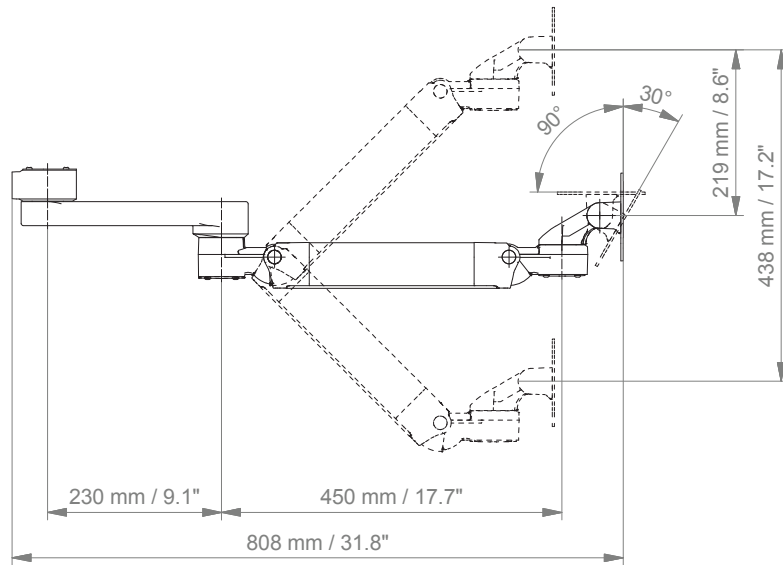
17

Adapter for Amico pendants & headwalls

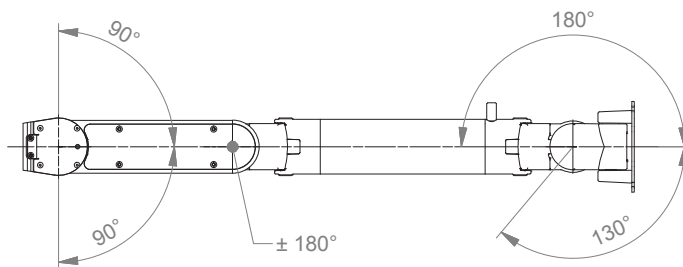
Extended high position height adjustable arm

Technical data

SIDE VIEW



TOP VIEW



Counter top

MD



Monitor adaption

VESA 75/100

Colours to choose

decorative parts RAL 5013 cobalt blue / RAL 7024 graphite grey
 aluminum parts RAL 9016 traffic white / RAL 9002 grey white

Max. load monitor adaptation

18 kg / 39.7 lbs

Part number

Counter top with base plate to mount to desk or even surfaces

- T-HG-60.CD_220 height 220 mm / 8.7"
- T-HG-60.CD_280 height 280 mm / 11"
- T-HG-60.CD_340 height 340 mm / 13.4"

Counter top free-standing (see illustration)

- T-HG-62.CD_220 height 220 mm / 8.7"
- T-HG-62.CD_280 height 280 mm / 11"
- T-HG-62.CD_340 height 340 mm / 13.4"

Counter top without base plate

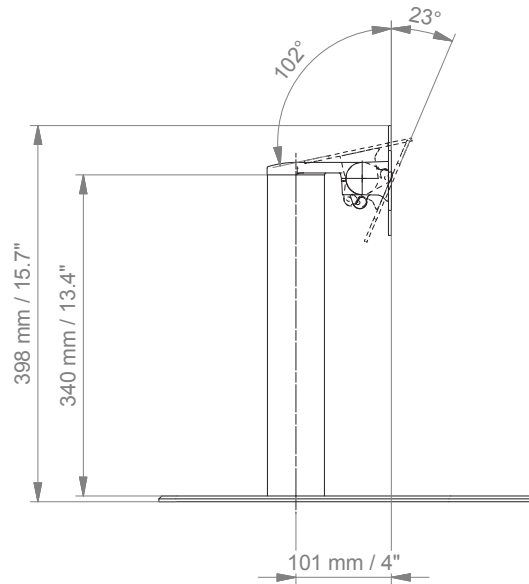
- T-HG-69.CD_220 height 220 mm / 8.7"
- T-HG-69.CD_280 height 280 mm / 11"
- T-HG-69.CD_340 height 340 mm / 13.4"

! All free-standing counter tops have to be tip-tested for stability depending on the weight of the monitor!

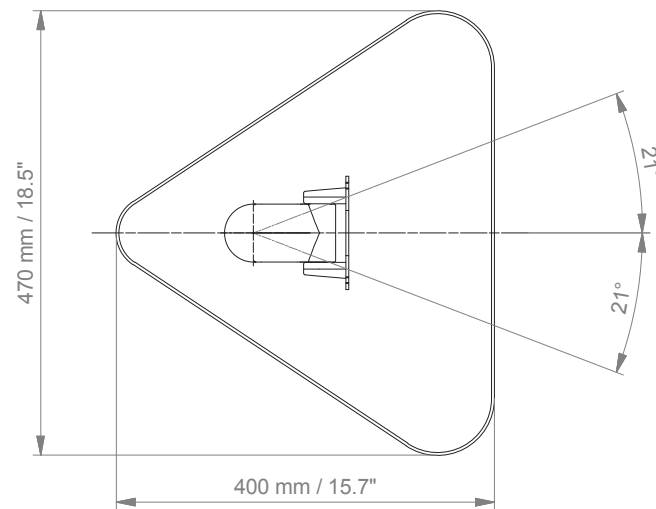
Counter top

Technical data - free standing

SIDE VIEW



TOP VIEW



Counter top for deep monitors

MD



Monitor adaption

CL-bracket, VESA 75/100

Colours to choose

decorative parts RAL 5013 cobalt blue / RAL 7024 graphite grey
 aluminum parts RAL 9016 traffic white / RAL 9002 grey white

Max. load monitor adaptation

18 kg / 39.7 lbs

Part number

Counter top with base plate
 to mount to desk or even surfaces (see illustration)
 T-HK-60.CD_50

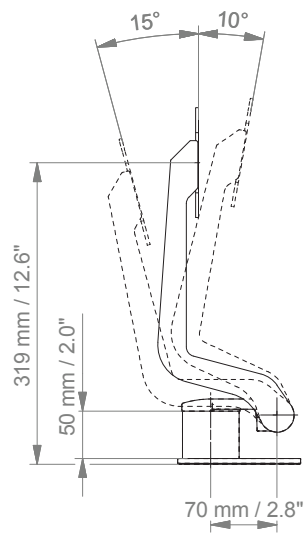
Counter top free-standing
 T-HK-62.CD_50

! All free-standing counter tops have to be tip-tested for stability depending on the weight of the monitor!

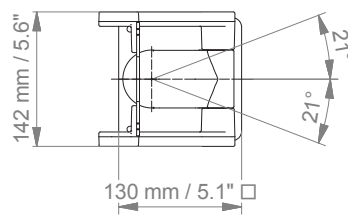
Counter top for deep monitors

Technical data - with base plate

SIDE VIEW



TOP VIEW



Cart light duty

MD

Example configuration



Monitor adaption

CL-bracket, VESA 75/100

Accessories

5-star base aluminum base with counter weight
 double wheel castors, \varnothing 100 mm / 3.9", 2 lockable
 column to accept components and accessories on opposite sides

Colours to choose

decorative parts RAL 5013 blue / RAL 7024 graphite grey
 base RAL 9016 pure white
 handle RAL 9016 pure white / RAL 5013 blue / RAL 7024 graphite grey

Max. load capacity

10 kg / 22 lbs

Optional accessories

basket big 300 x 200 x 180 mm / 11.8 x 7.9 x 7.1"
 basket small 200 x 150 x 100 mm / 7.9 x 5.9 x 3.9"
 handle

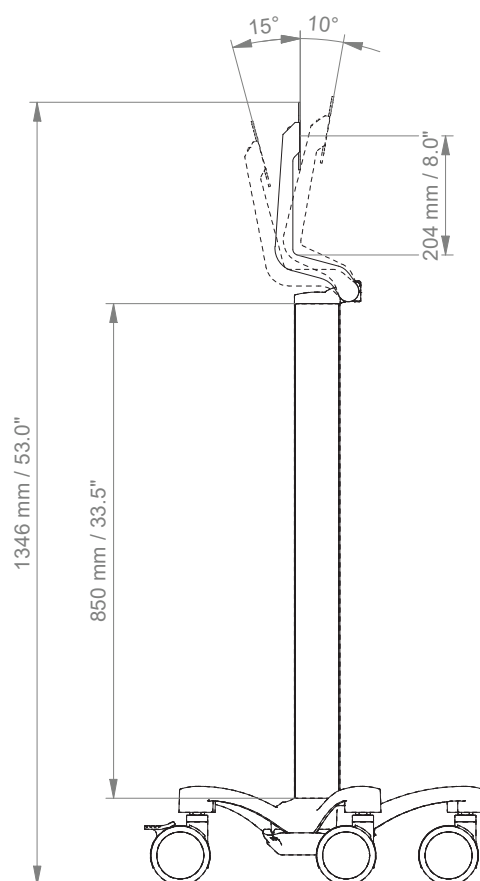
Part number

cart	R-002K.CD
basket big	Z-51-4Z.1
basket small	Z-52-4Z.1
handle	Z-HD-4.C1

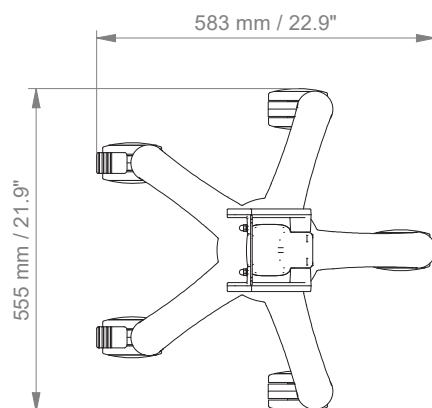
Cart light duty

Technical data

SIDE VIEW



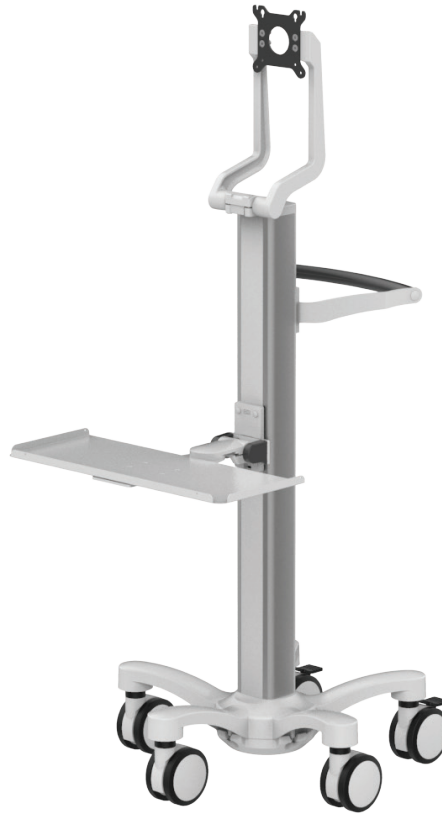
TOP VIEW



Cart light duty kit I

MD

Kit configuration



Monitor adaption

CL-bracket, VESA 75/100

Cart light duty

5-star base aluminum base with counter weight
double wheel castors, \varnothing 100 mm / 3.9", 2 lockable
column to accept components and accessories on opposite sides

Colours

decorative parts RAL 5013 cobalt blue
base RAL 9016 traffic white
handle RAL 7024 graphite grey

Max. load monitor adaptation

10 kg / 22 lbs

Max. load keyboard tray

1 kg / 2.2 lbs

Kit number

R-002K.gr1_286490

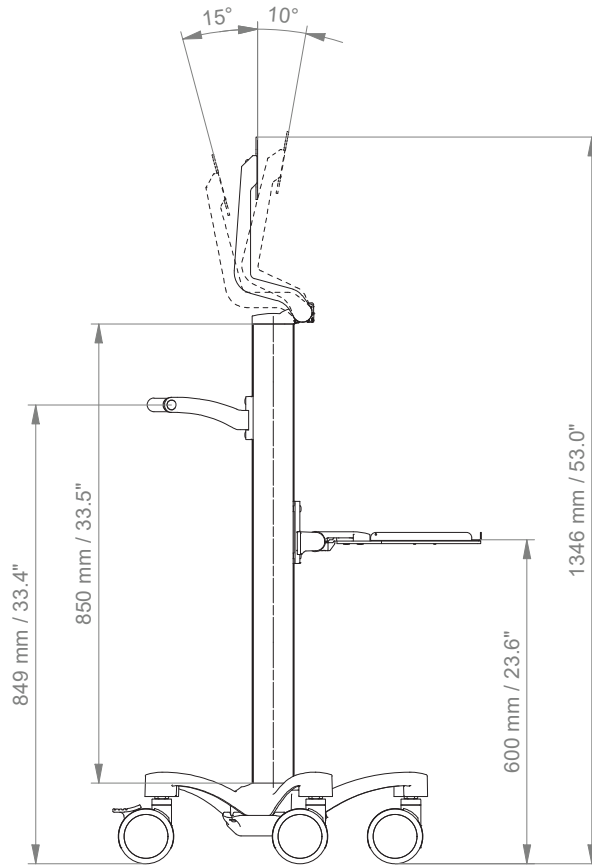
Consisting of the following parts:

R-002K.gr1	cart light duty
Z-HD-4.gr1	handle for carts
Z-EF-4V.gr1_50S	keyboard tray magnetic with fold-up function 500 x 200 mm/ 19.7 x 7.9"

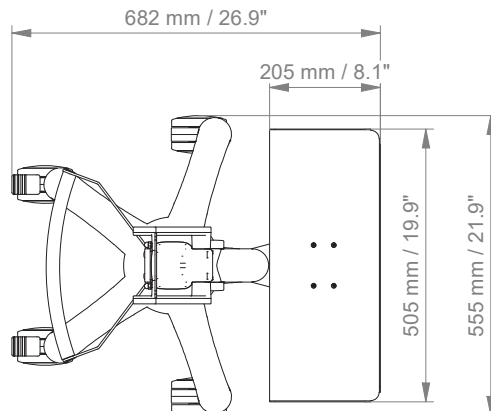
Cart light duty kit I

Technical data

SIDE VIEW










TOP VIEW



Fixings



Illustration	Description	Notes	Weight	Part no.
	Adapter for vertical wall channel	To mount to CIM wall channel (compatible with GCX channel) Please order separately: CIM wall channel, see catalogue accessoires	0.6 kg / 1.3 lbs	4S
	Horizontal rail clamp	To mount to horizontal European rails 10 x 25, 8 x 35, 10 x 30, 10 x 50 mm	1.1 kg / 2.4 lbs	2F
	Vertical rail clamp	To mount to vertical European rail 10 x 25 mm	0.5 kg / 1.1 lbs	3
	Universal pole clamp	V-block to mount to pole \varnothing 23 - 40 mm / 0.9 - 1.6"	0.6 kg / 1.3 lbs	1V
	Fixed pole clamp	To mount to pole \varnothing 25 mm / 1.0" To mount to pole \varnothing 30 mm / 1.2" To mount to pole \varnothing 35 mm / 1.4" To mount to pole \varnothing 38 mm / 1.5"	0.3 kg / 0.7 lbs 0.4 kg / 0.9 lbs 0.4 kg / 0.9 lbs 0.4 kg / 0.9 lbs	1 1B 1F 1C
	Adapter medical supply units	For Mindray medical supply units	0.8 kg / 1.8 lbs	13
	Adapter pendants & headwalls	For Amico pendants & headwalls	0.6 kg / 1.3 lbs	17

Fixings for anaesthesia machines

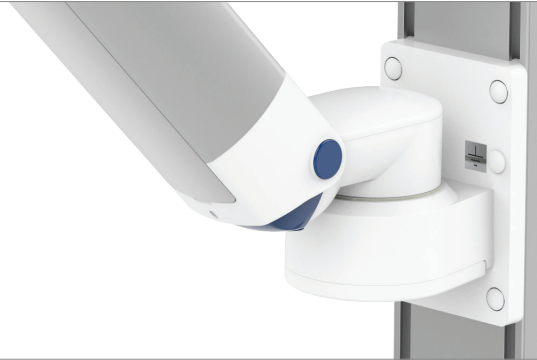







Illustration	Description	Notes	Weight	Part no.
	Adapter for Löwenstein Medical anaesthesia machines	Adapter for Leon / Leon plus	0.4 kg / 0.9 lbs	9
If your anaesthesia machine does not have a side channel already mounted to the machine, please order the following in addition to 4S:				
	Adapter for Dräger	Dräger Primus / Julian / Cato / Fabius GS / Zeus side channel adapter L 127 mm / 5"	0.5 kg / 1.1 lbs	DR-J01
		side channel adapter L 320 mm / 12.6"	1.0 kg / 2.2 lbs	DR-J02
	Adapter for GE	GE Avance / Aespire / Aestiva side channel adapter L 200 mm / 7.9"	0.5 kg / 1.1 lbs	DX-AES-01
				



CIM med GmbH

Euro-Industriepark
Margot-Kalinke-Str. 9
80939 Munich / Germany

T +49 89. 978 94 08-0

F +49 89. 978 94 08-29

M info@cim-med.com

www.cim-med.com

VESA 75/100 Adaptation_2023.02_EN

